

### Features

- Frameless design emphasizes glass and creates a sleek, minimalist look.
- Dual-sliding barn door style.
- Cushioned center guide provides smooth, quiet sliding action.
- Smooth, easy-to-clean wall jambs.
- 14-1/8" (359 mm) vertical handles.
- CleanCoat®+ glass coating creates a hydrophobic barrier that repels water, soap scum, and residue, saving time and protecting shower doors 10 times longer than original CleanCoat. (Based on 2021 internal wear/abrasion testing using a microfiber cloth.)
- Innovative roller design simplifies installation and provides out-of-plumb adjustability while glass is installed.

### Material

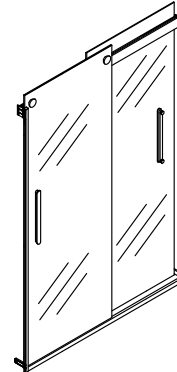
- Frameless, 5/16" (8mm) thick Crystal Clear tempered glass.
- Anodized aluminum prevents rust and corrosion.

### Installation

- Fits opening widths 44-5/8" - 47-5/8" (1134 - 1210 mm).
- Out-of-plumb adjustability simplifies installation.
- For residential use only.
- Not for use in hospitality.

### Included Components

Additional Components:  
Hardware kit



### Codes/Standards

ANSI Z97.1  
CPSC 16CFR 1201

### STERLING® Bath and Shower Doors Five-Year Limited Warranty

See website for detailed warranty information.

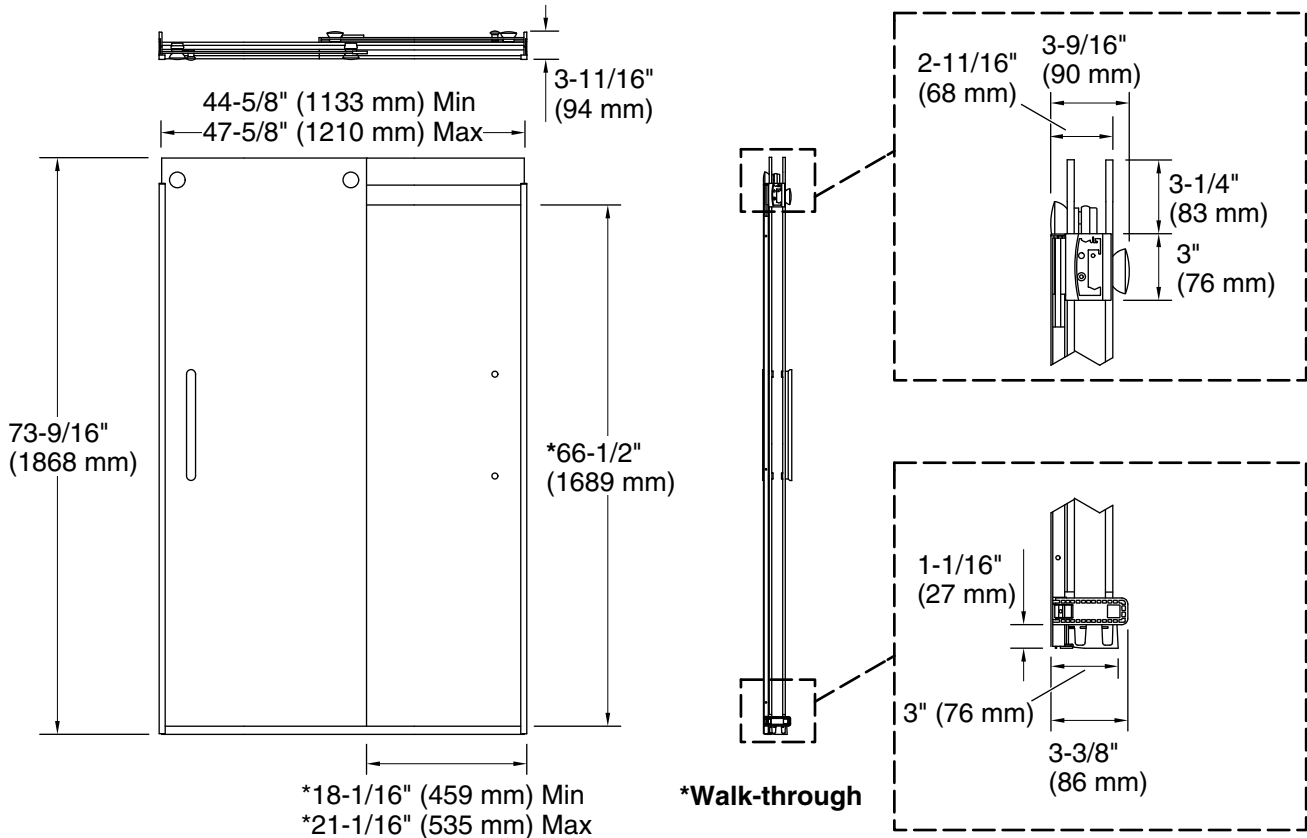
### Available Colors/Finishes

*Color tiles intended for reference only.*

Color	Code	Description
	BL	Matte Black
	BNK	Anodized Brushed Nickel
	S	Silver

### Available Glass Options

Code	Description
G05	Clear



**Technical Information**

All product dimensions are nominal.

- Installation type: For shower base installation
- Opening Width - Min: 44-5/8" (1133 mm)
- Opening Width - Max: 47-5/8" (1210 mm)
- Walk-through - Min: 18-1/16" (459 mm)
- Walk-through - Max: 21-1/16" (535 mm)
- Base-To-Wall Radius - Max: 1/2" (13 mm)
- Glass thickness: 5/16" (8 mm)
- Glass coating: CleanCoat®

**Notes**

The vertical opening should be a minimum of 76-1/2" (1943 mm) to allow for installation clearance.