

# Submittal

## Switching Relay 306P



Zoning

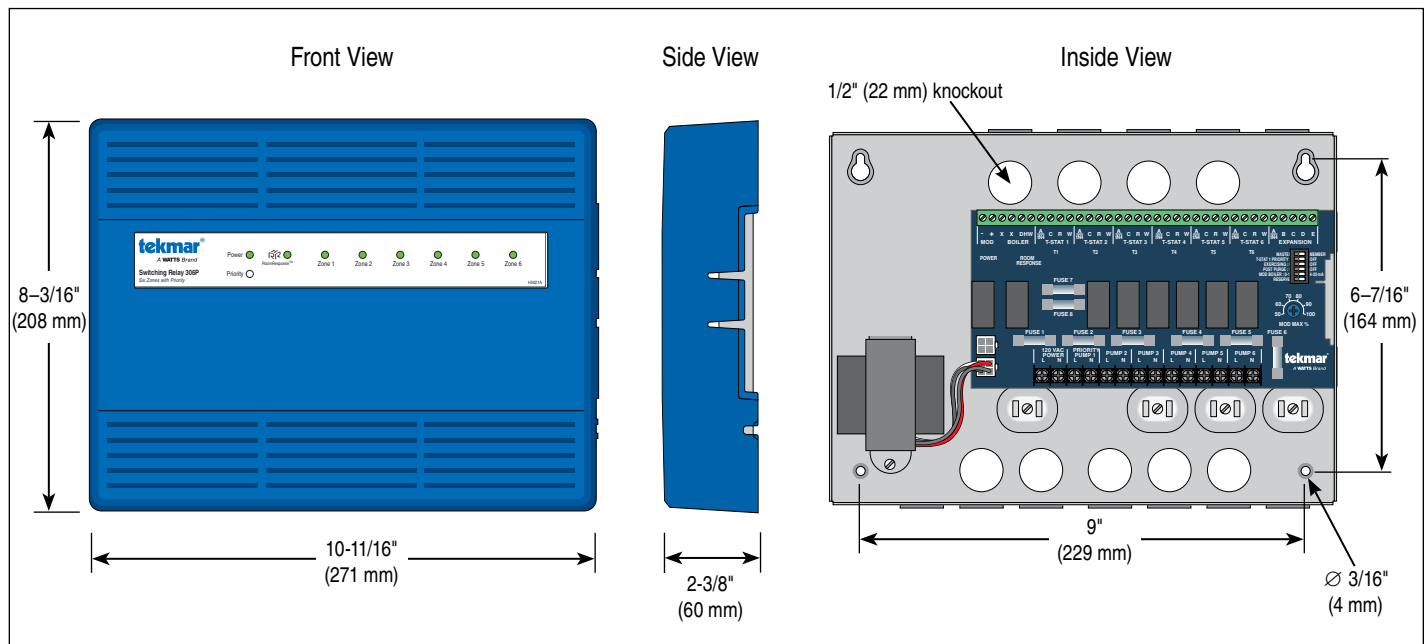
**306P\_C**

11/16

Replaces: 10/16

Job \_\_\_\_\_ Designer \_\_\_\_\_ Contact \_\_\_\_\_

The Switching Relay 306P connects up to six thermostats and operates circulators to provide heating to a zoned hydronic heating system. Zone 1 has optional priority over zones 2 through 6 and can be used to provide heat to an indirect domestic hot water tank. The 306P includes optional exercising to prevent circulator seizure when not in use, and optional post purge operation of the last operating zone to maximize energy savings. The 306P provides a RoomResponse™ signal to modulating-condensing boilers to optimize comfort while improving boiler efficiency.



### Specifications

Switching Relay 306P Six Zones with Priority	
Literature	306P_C, 306P_D, 306P_J
Control	Microprocessor control. This is not a safety (limit) control.
Packaged weight	5.0 lb. (2250 g)
Dimensions	8-3/16" H x 10-11/16" W x 2-3/8" D (208 x 271 x 60 mm)
Enclosure	Cover: ABS plastic, Base: galvanized steel, NEMA type 1
Approvals	CSA C US
Ambient conditions	Indoor use only, 32 to 122°F (0 to 50°C), RH ≤90% non-condensing
Power supply	115 V (ac) ±10%, 60 Hz, 20 A
Transformer	40 VA, expandable to 80 VA with additional transformer M3069 (sold separately)
Control load	7 VA
Fuses	T5A 250 V slow blow, two spare fuses included
Pump relays	230 V (ac), 5 A, 1/3 hp
Boiler XX end switch	24 V (ac), 5 A
DHW end switch	24 V (ac), 5 A
Mod boiler output	0-10 V (dc) 500 Ω min load impedance 4-20 mA 1kΩ max load impedance
Warranty	Limited 3 Year (See 306P_D for full warranty)

### Features

- RoomResponse™ signal (Patent Pending)
- Compatible with all low voltage thermostats
- Unlimited zone expansion
- Zone priority
- Priority override
- Pump exercising
- Post purge
- LED for each zone, priority, end switch and RoomResponse™
- Away signal shared between tekmar thermostats
- Four ground screws
- Top, bottom and back conduit knockouts
- Fuses protect transformers and pumps
- Two spare fuses included
- CSA approved

**tekmar**®

A WATTS Brand

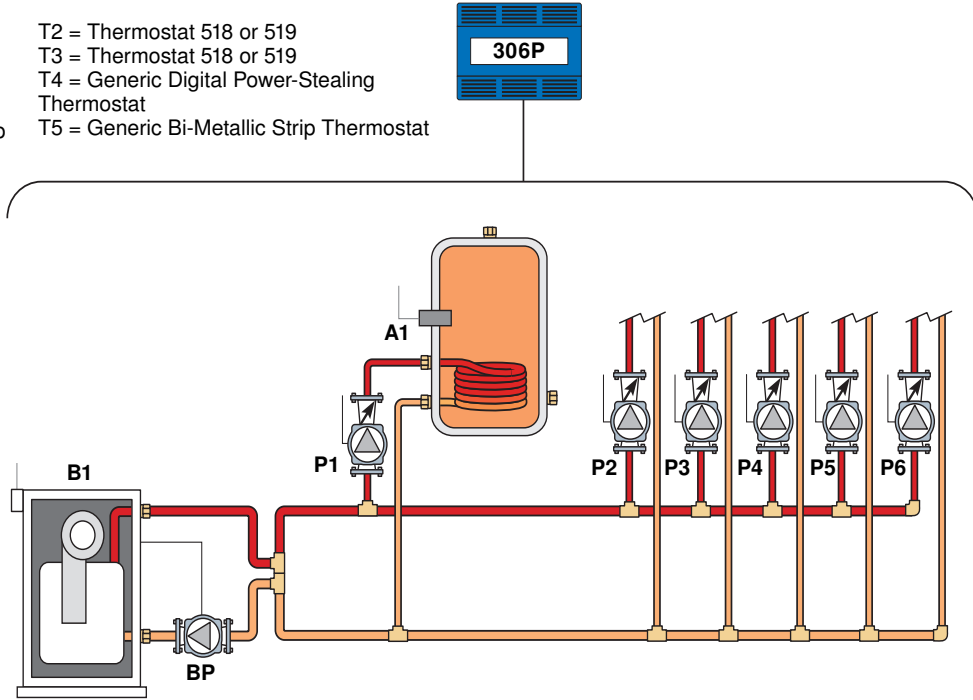
## Sample Application Drawing

### Sample Mechanical diagram

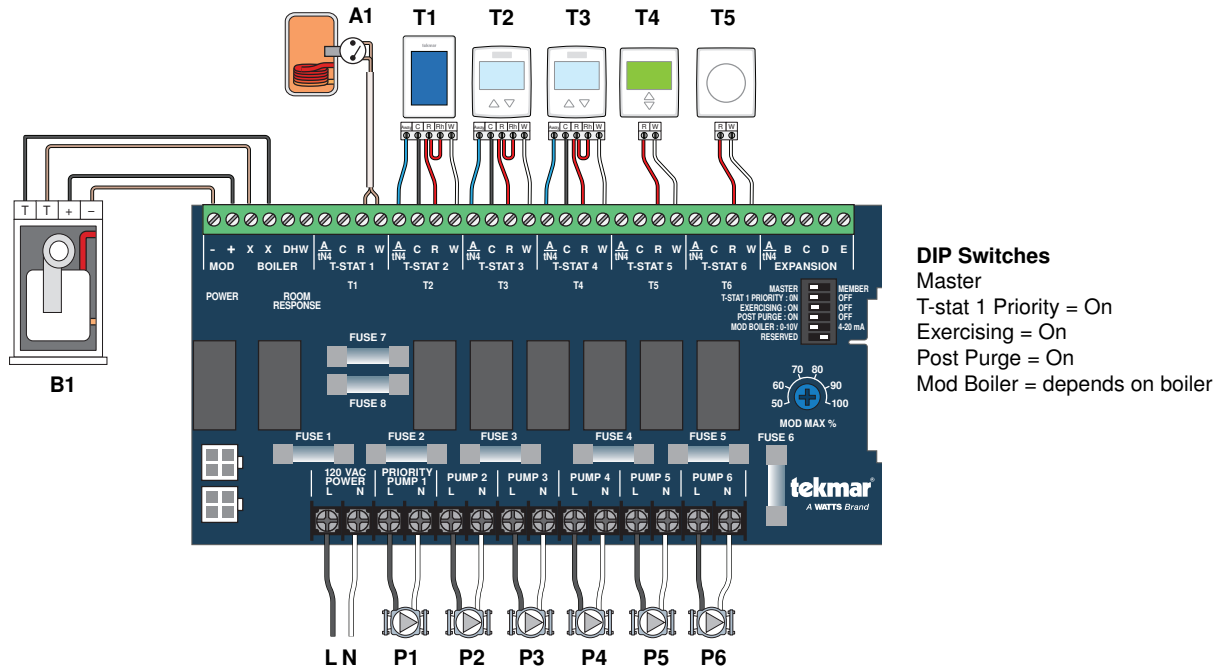
#### Legend

A1 = DHW Tank Aquastat  
 B1 = Boiler  
 BP = Boiler Pump  
 P1 = Zone 1 DHW Tank Pump  
 P2 to P6 = Zone 2 through 6 Pump  
 T1 = WiFi Thermostat 561 or 562

T2 = Thermostat 518 or 519  
 T3 = Thermostat 518 or 519  
 T4 = Generic Digital Power-Stealing  
 Thermostat  
 T5 = Generic Bi-Metallic Strip Thermostat



### Sample Electrical diagram



### CAUTION

This Submittal is not intended to provide full installation instructions and safety information. In order to avoid property damage or injury, please refer to the complete installation manual and product safety information provided with the product.

**tekmar**<sup>®</sup>

A WATTS Brand

All specifications are subject to change without notice.

T: (250) 545-7749 • F: (250) 984-0815  
 tekmarControls.com