

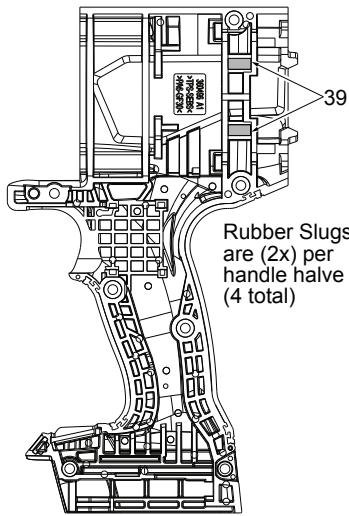


SERVICE PARTS LIST

BULLETIN NO.
54-26-2840

SPECIFY CATALOG NO. AND SERIAL NO. WHEN ORDERING PARTS		REVISED BULLETIN	DATE
M18 FUEL™ 1/2" SQUARE IMPACT WRENCH with detent pin			Apr. 2019
CATALOG NO.	2766-20	STARTING SERIAL NO.	H95A
		WIRING INSTRUCTION See Page 2	

EXAMPLE:
Component Parts (Small #) Are Included
When Ordering The Assembly (Large #).



Rubber Slugs are (2x) per handle half (4 total)

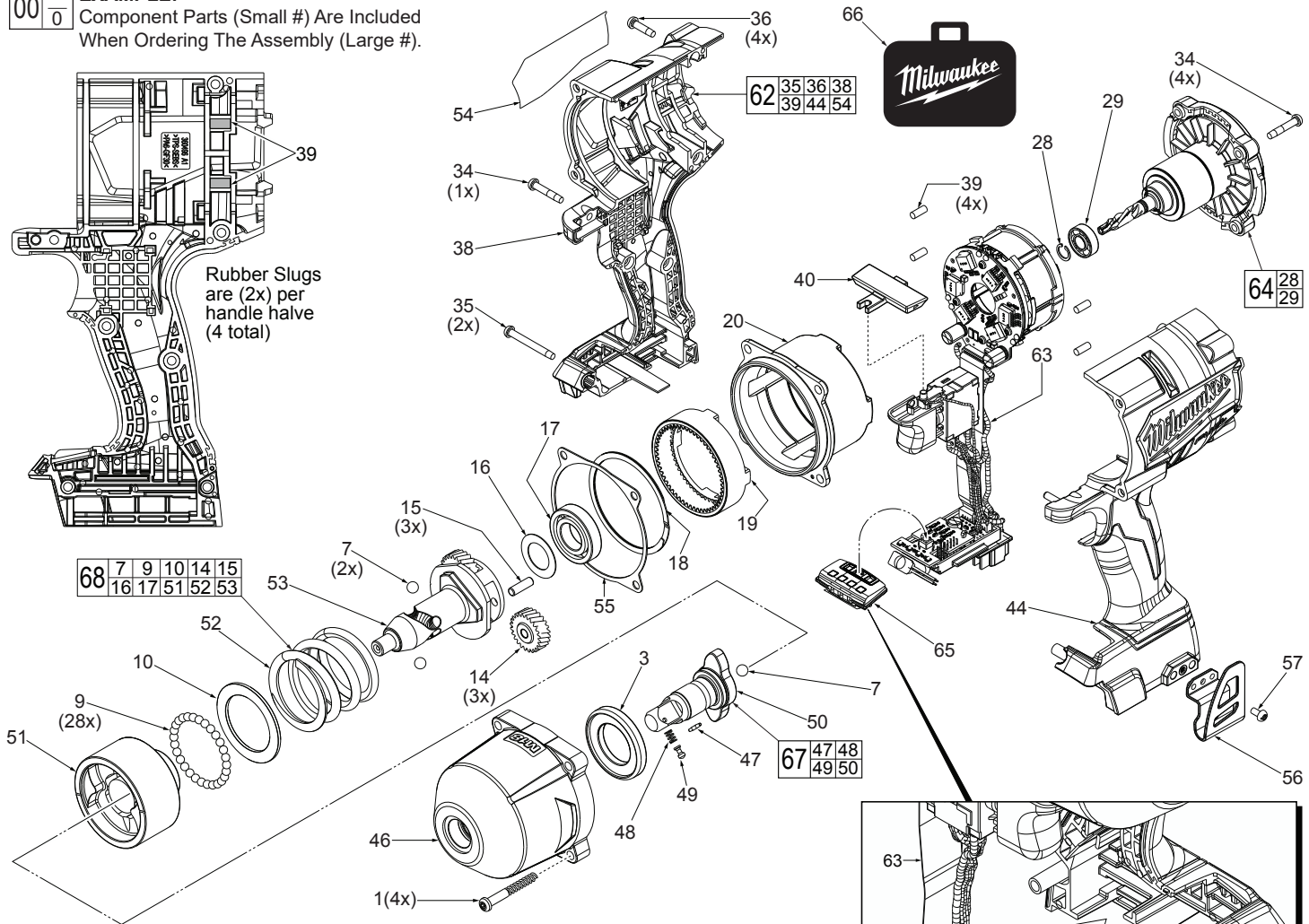
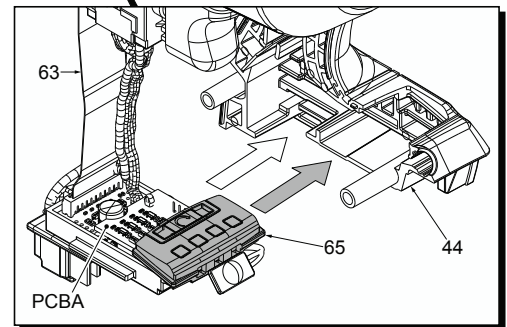
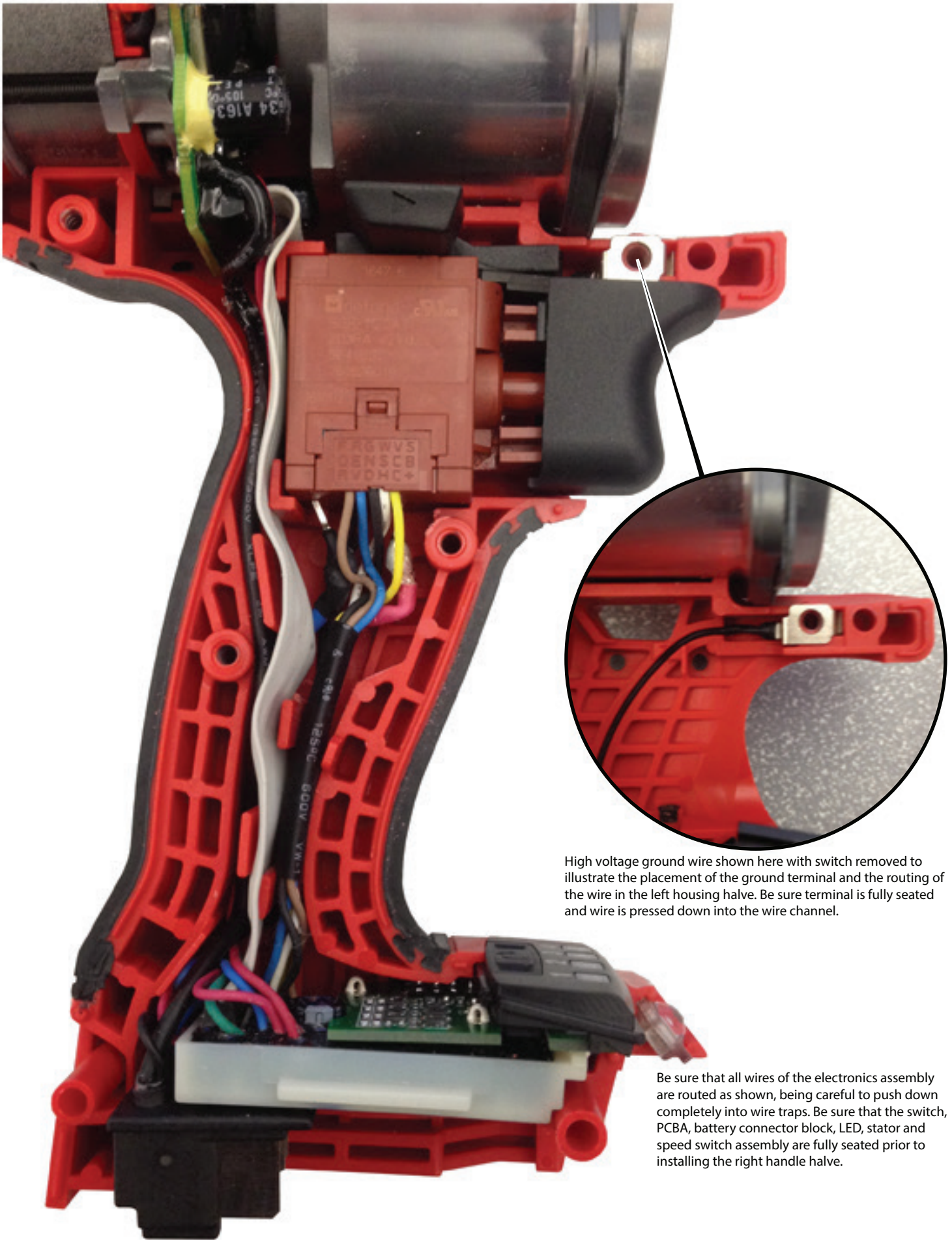


FIG.	PART NO.	DESCRIPTION OF PART	NO. REQ.
1	06-82-4000	M5 x 40mm Pan Hd. ST T-20 Screw	(4)
3	45-88-2005	Front Housing Washer	(1)
7	02-02-0251	6.6mm Steel Ball	(3)
9	02-02-2050	3/16" Steel Ball	(28)
10	45-88-2015	Washer	(1)
14	32-62-0500	Planet Gear	(3)
15	44-60-1960	Planet Pin	(3)
16	45-88-2020	Washer	(1)
17	02-04-0375	Ball Bearing	(1)
18	34-80-0650	Retaining Ring	(1)
19	32-65-0025	Ring Gear	(1)
20	44-66-4001	Rear Gear Case	(1)
28	34-60-0011	Retaining Ring	(1)
29	02-04-0155	Ball Bearing	(1)
34	06-82-4001	M4 x 22mm Pan Hd. ST T-20 Screw	(5)
35	06-82-4002	M4 x 35mm Pan Hd. ST T-20 Screw	(2)
36	06-82-4003	M4 x 16mm Pan Hd. ST T-20 Screw	(4)
38	-----	Housing Cover - Right	(1)
39	45-30-0255	Rubber Slug	(4)
40	45-24-0022	Forward / Reverse Shuttle	(1)
44	-----	Housing Support - Right with Metal Pin	(1)
46	14-30-0845	Front Housing Assembly with Bushing	(1)
47	44-60-0022	Solid Pin	(1)
48	40-50-0925	Detent Spring	(1)
49	44-60-0597	Detent Pin	(1)
50	-----	1/2" Square Anvil	(1)
51	43-81-0305	Hammer	(1)

FIG.	PART NO.	DESCRIPTION OF PART	NO. REQ.
52	40-50-1920	Hammer Spring	(1)
53	36-10-0905	Cam Shaft	(1)
54	12-20-2810	Service Nameplate	(1)
55	43-44-1420	Gasket	(1)
56	42-70-5151	Belt Hook	(1)
57	06-82-0130	6-32 x 5/16 Pan Hd. T-15 Machine Screw	(1)
62	31-44-3160	Housing Assembly	(1)
63	14-20-0925	Electronics Assembly	(1)
64	16-01-0400	Rotor/End Cap Assembly	(1)
65	45-24-0450	Speed Switch Assembly	(1)
66	42-55-2820	Carrying Case	(1)
67	42-06-2770	1/2" Square Anvil Assy. w/ Detent Pin	(1)
68	14-46-2810	Impacting Assembly	(1)



As an aid for servicing, the Speed Switch Assembly #65 should be mounted onto the PCBA first and then carefully installed together into the Left Housing Halve #44.



High voltage ground wire shown here with switch removed to illustrate the placement of the ground terminal and the routing of the wire in the left housing halve. Be sure terminal is fully seated and wire is pressed down into the wire channel.

Be sure that all wires of the electronics assembly are routed as shown, being careful to push down completely into wire traps. Be sure that the switch, PCBA, battery connector block, LED, stator and speed switch assembly are fully seated prior to installing the right handle halve.