

For Residential and Commercial Applications

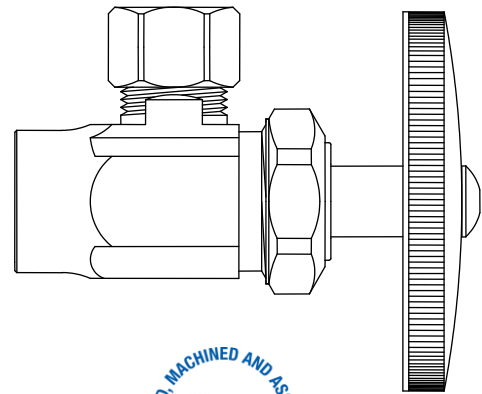
Job Name		Engineer / Architect	
Job Location		Wholesaler	
Submittal Date		Contractor	

R1901/ R3901/ R3903 Multi-Turn Dual Outlet Stop – Sweat Inlet

Use: For use in potable water distribution systems. Not intended for recirculating water systems that produce continuous use temperatures above 115° F. For those applications, use our KT™ series ball stops

Design Features:

- **Machined, one-piece brass body** provides strength, durability, and long-lasting performance
- **Knurled oval handle** provides a secure grip and smooth on/off operation
- **Easy-to-remove handle** with screw attachment protects accidental stop operation during rough-ins
- **No Lead**



Operating Specifications:

Temperature: 40° - 140° F
Pressure: 125 PSI maximum

STOP MATERIAL SPECIFICATIONS	
Body	<i>Brass or brass, chrome plated</i>
Stem	<i>Brass or brass, chrome plated</i>
Bib & Packing Washers	<i>Rubber</i>
Packing Nut	<i>Brass or brass, chrome plated</i>
Handle	<i>Zinc, die cast or zinc, die cast plated</i>
Handle Screw	<i>Steel, zinc plated</i>
Compression Sleeve	<i>Brass</i>
Compression Nut	<i>Brass or brass, chrome plated</i>

Part Listing:

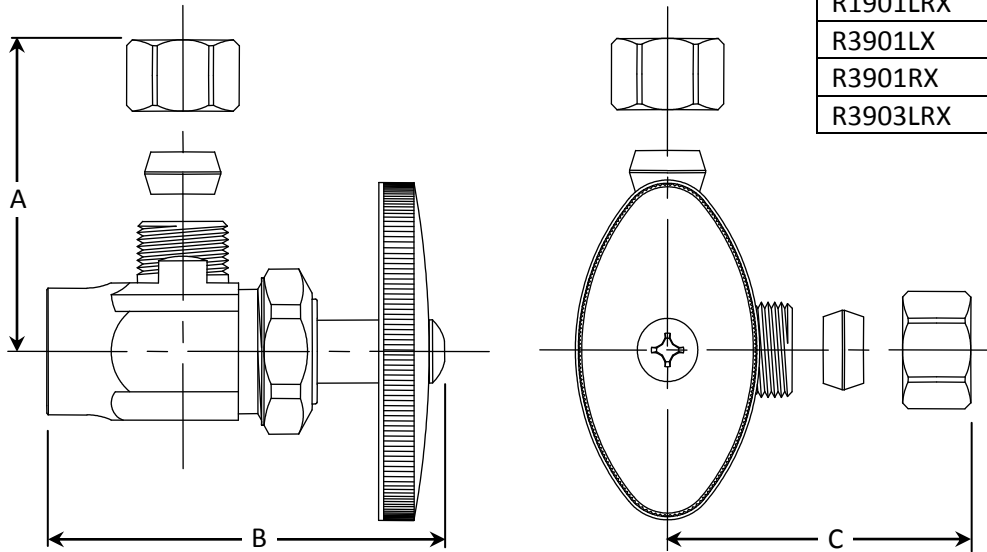
- R1901LRX C1 1/2" nom sweat x 3/8" OD compression x 3/8" OD compression, chrome plated, window tray
- R1901LRX R1 1/2" nom sweat x 3/8" OD compression x 3/8" OD compression, rough brass, window tray
- R3901LX C1 1/2" nom sweat x 1/2" OD compression (left side) x 3/8" OD compression, chrome plated, window tray
- R3901RX C1 1/2" nom sweat x 1/2" OD compression (right side) x 3/8" OD compression, chrome plated, window tray
- R3901RX R1 1/2" nom sweat x 1/2" OD compression (right side) x 3/8" OD compression, rough brass, window tray
- R3903LR R1 1/2" nom sweat x 1/2" OD compression x 1/2" OD compression, rough brass, window tray

This specification and all information contained herein is the confidential and exclusive property of BrassCraft Manufacturing, and shall not be disclosed to others without the written consent of BrassCraft Mfg. This specification must be returned to BrassCraft Mfg. if requested.



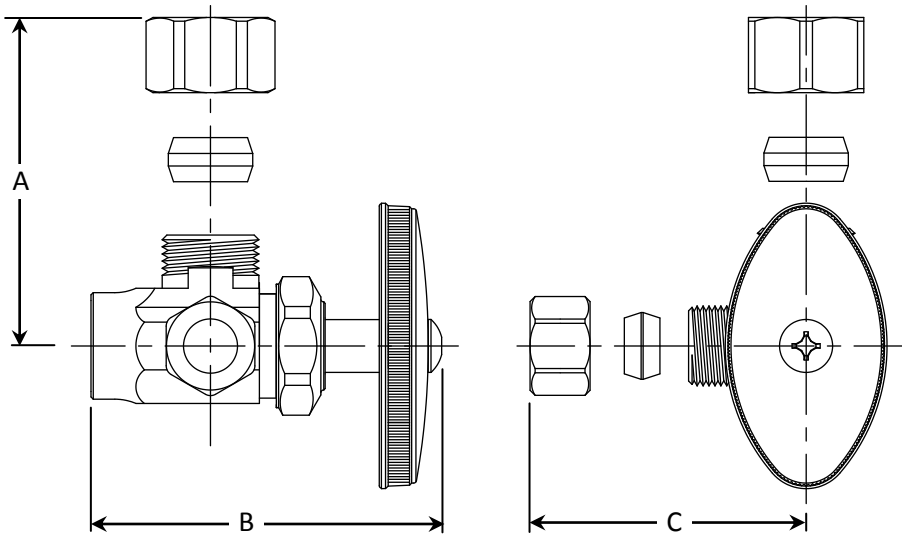
R1901 / R3901/ R3903 Multi-Turn Dual Outlet Stop – Sweat Inlet

Right Side Outlets



PART DIMENSIONS (Inches)			
Model	DIM. A	DIM. B	DIM. C
R1901LRX	1.06	2.46	1.06
R3901LX	1.06	2.46	1.15
R3901RX	1.06	2.46	1.15
R3903LRX	1.15	2.46	1.15

Left Side Outlets



Listings & Certifications:

- IAPMO listed to ASME A112.18.1 / CSA B125.1 (File # 0645)
- CSA listed to ASME A112.18.1 / CSA B125.1 (File # 204593)
- No-Lead product CSA listed to Low-Lead Content Certification Program – Plumbing Products Class 6853-01



This specification and all information contained herein is the confidential and exclusive property of BrassCraft Manufacturing, and shall not be disclosed to others without the written consent of BrassCraft Mfg. This specification must be returned to BrassCraft Mfg. if requested.

BrassCraft®