



SharkBite Max™

Service Stop

SharkBite Max™ allows users to connect pipe with ease - no tools needed. This new design features a stainless steel retainer for extra strength, and a lower insertion effort than previous versions of SharkBite Brass Push-to-Connect fittings. SharkBite Max fittings do not require a PEX stiffener and are compatible with PEX, copper, CPVC, PE-RT and HDPE*.

Applications

Residential and commercial potable water, recirculation, hydronic heating/cooling (up to 50% glycol concentration).

Specification Data

Materials	
Body	Lead-Free DZR Brass
O-ring	EPDM
Steel Retainer	304 Stainless Steel
Grab Ring	316 Stainless Steel

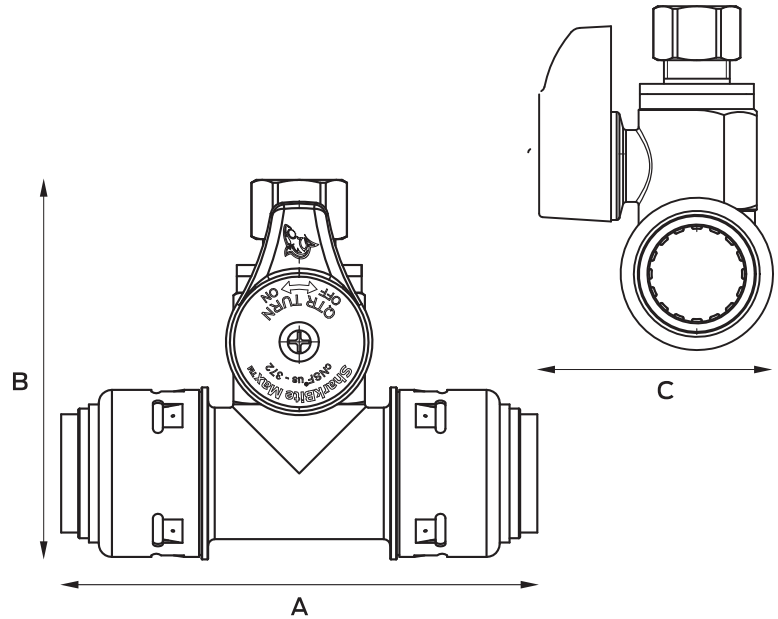
Pipe Insertion Depth		Performance	
Fitting Size	Insertion Depth	Max Working Pressure	
1/2"	1.00 in.	Max Pressure	125 psi
3/4"	1.25 in.	Max Temperature	160°F (71°C)

Certifications & Listings

ASME A112.18.1/CSA B125.1, NSF/ANSI/CAN 61: Q ≤ 0.5, NSF/ANSI/CAN 372

For listing information, please contact Customer Service

* HDPE installations must use a tube stiffener. Sold separately by HDPE manufacturer.



Dimensions (inches)				
Part #	Size	A	B	C
UR24983	1/2" x 1/2" x 1/4"	2.9	2.3	1.6
UR24984	1/2" x 1/2" x 3/8"	2.9	2.4	1.6
UR24985	3/4" x 3/4" x 1/4"	3.4	2.6	1.7

Product Submittal	
Name	
Date	
Architect/Owner	
Contractor	
Tag	
Notes	