

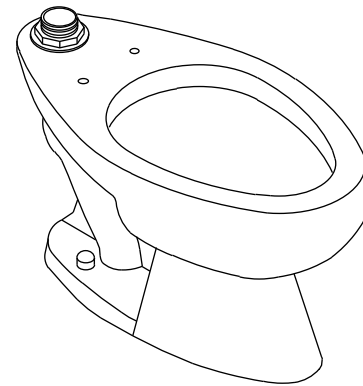
Features

- Vitreous china
- Elongated bowl
- 1-1/2" top spud
- 2-1/4" (57 mm) passageway
- 1.6 gpf (6.0 lpf)
- 10" (254 mm) or 12" (305 mm) rough-in
- 11-3/8" (289 mm) x 10-3/8" (264 mm) water area
- Optional bedpan lugs (-L) or bolt holes (-B)
- 26" (660 mm) x 14-1/2" (368 mm) x 14-3/4" (375 mm)

ELONGATED TOILET BOWL K-4350

CSA B651

OBC



Codes/Standards Applicable

Specified model meets or exceeds the following:

- CSA B651
- OBC
- ASME A112.19.2/CSA B45.1

Colors/Finishes

- 0: White
- Other: Refer to Price Book for additional colors/finishes

Accessories

- 0: White
- CP: Polished Chrome
- Other: Refer to Price Book for additional colors/finishes

Specified Model

| Model | Description | Colors/Finishes | |
|----------|--|----------------------------|-------------------------------------|
| K-4350 | Elongated toilet bowl | <input type="checkbox"/> 0 | <input type="checkbox"/> Other_____ |
| K-4350-B | Elongated toilet bowl - with bolt holes | <input type="checkbox"/> 0 | <input type="checkbox"/> Other_____ |
| K-4350-L | Elongated toilet bowl - with bedpan lugs | <input type="checkbox"/> 0 | <input type="checkbox"/> Other_____ |

Recommended Accessories

| | | | | |
|-----------|---|----------------------------|-------------------------------------|-----------------------------|
| K-4670-C | Lustra™ open front seat | <input type="checkbox"/> 0 | <input type="checkbox"/> Other_____ | |
| K-4670-CA | Lustra open front seat (with anti-microbial agent) | <input type="checkbox"/> 0 | | |
| K-10674 | WAVE exposed toilet flushometer – 1.6 gpf (6.0 lpf) | | | <input type="checkbox"/> CP |
| K-10957 | Touchless DC toilet flushometer – 1.6 gpf (6.0 lpf) | | | <input type="checkbox"/> CP |
| K-13516 | Manual toilet flushometer – 1.6 gpf (6.0 lpf) | | | <input type="checkbox"/> CP |

Product Specification

The elongated toilet bowl shall be made of vitreous china. Bowl shall be 26" (660 mm) in length, 14-1/2" (368 mm) in width, and 14-3/4" (375 mm) in height. Bowl shall be capable of either 10" (254 mm) or 12" (305 mm) rough-in with 1-1/2" top spud. Bowl shall have 11-3/8" (289 mm) by 10-3/8" (264 mm) water area. Bowl shall be 1.6 gpf (6.0 lpf). Bowl shall have 2-1/4" (57 mm) passageway. Bowl shall have optional bedpan lugs (-L) or bolt holes (-B). Elongated toilet bowl shall be Kohler Model K-4350-_____ or K-4350-_____.

WELLCOMME™

Technical Information

| | |
|--|-------------------------------------|
| Fixture*: | |
| Configuration | top spud, elongated |
| Water per flush | 1.6 gpf (6.0 lpf)* |
| Spud size | 1-1/2" |
| Passageway | 2-1/4" (57 mm) |
| Water area | 11-3/8" (289 mm) x 10-3/8" (264 mm) |
| Water depth from rim | 6" (152 mm) |
| Seat post hole centers | 5-1/2" (140 mm) |
| Minimum static pressure required | 35 psi (241.3 kPa) |
| Maximum static pressure | 80 psi (551.6 kPa) |
| Minimum flowing pressure required | 25 psi (172.4 kPa) |
| Required supply minimum | 25 gal/min (94.6 l/min) |
| * Based upon use of a 1.6 gal (6.0 L) flushometer. | |

Included components:

| | |
|-------------------------|---------|
| Spud | 18357 |
| Bolt cap accessory pack | 1013092 |

Installation Notes

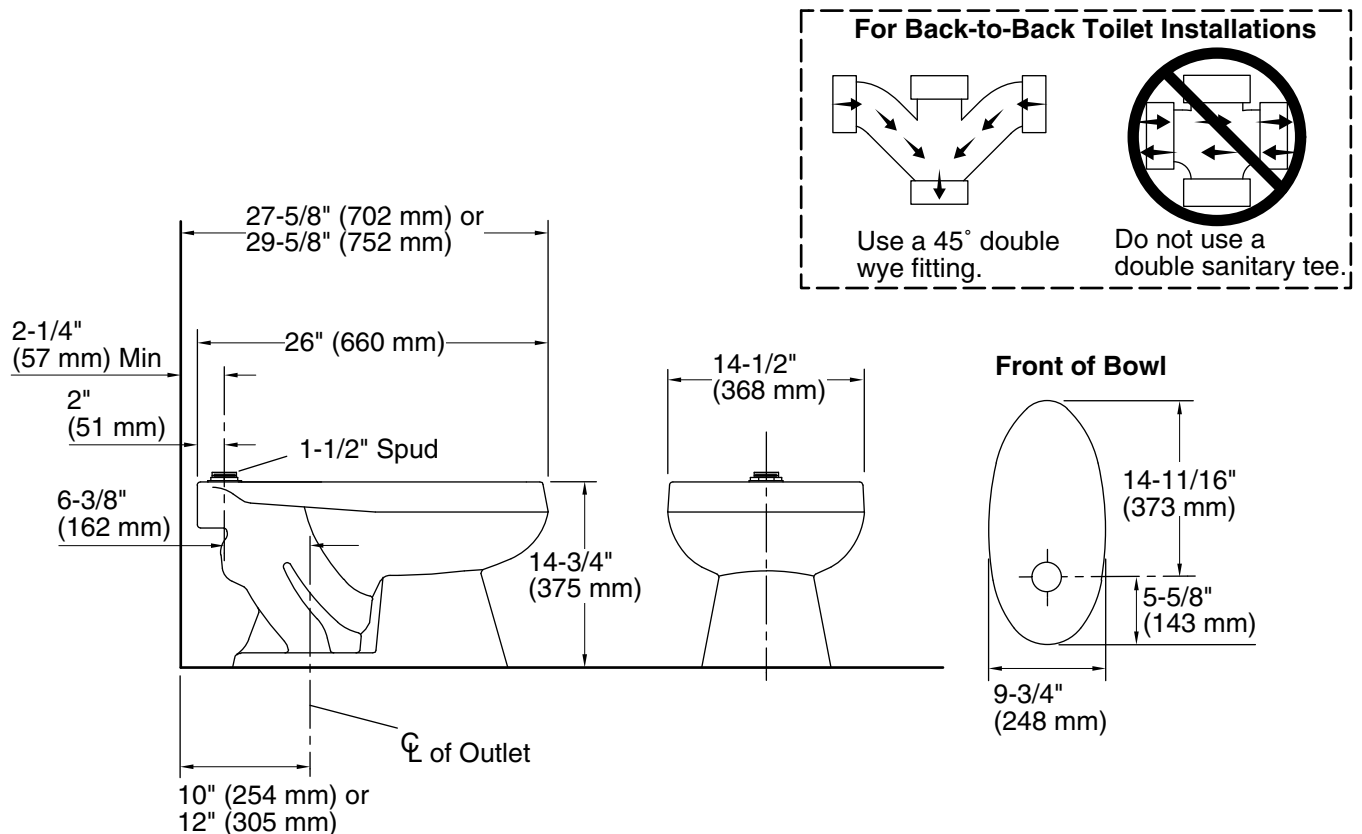
Install this product according to the installation guide.

Refer to manufacturer and local codes for flushometer requirements: for 12" (305 mm) rough-in, sweat extension nipple is required.

For back-to-back toilet installations: Use only a 45° double wye fitting.

Will comply with **CSA B651** when installed per Clause 4.3.6 of the standard.

Will comply with **OBC Barrier Free** requirements when installed per Clause 3.8.3.8 and 3.8.3.9.



Product Diagram