

## V-SERIES

### FOR USE WITH MODELS

V-200

#### V-200

**Part No.**

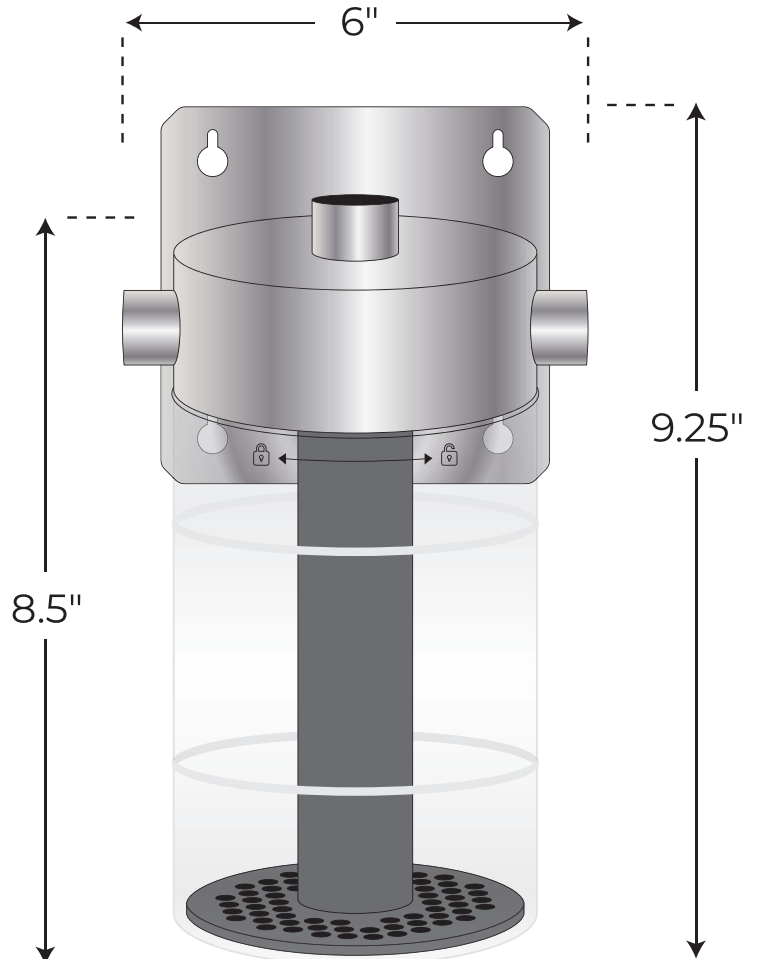
4101

**Weight (lbs.)**

5

**Specification:** The condensate neutralizer shall be part number 4101 by JJM Alkaline Technologies.

**Included Parts:** System shall include (1) vertical canister made from corrosion resistant materials, (1) wall-mounted end-cap with three access openings (top inlet, right outlet, left outlet), (1) removable pH PowerPellets® inner tube, (2) 3/4" barb-fitting, (2) 3/4" adapter, (1) 3/4" plug. pH Power Pellets® included.



## PH POWER PELLETS® REFILLS

	V-125R	V-200R	V-250R
Part No.	4001	7102	4003

Project: \_\_\_\_\_  
 Engineer: \_\_\_\_\_  
 Unit: \_\_\_\_\_

Location: \_\_\_\_\_  
 Contractor: \_\_\_\_\_  
 Submitted by: \_\_\_\_\_