

### Features

- Vitreous china
- Wall-mount
- With hanger
- With overflow
- Drilled for concealed arm carrier
- Optional soap dispenser hole on left (-L) or right (-R)
- 8" (203 mm) centers, 4" (102 mm), centers or single-hole
- 21-1/4" (540 mm) x 18-1/8" (460 mm)

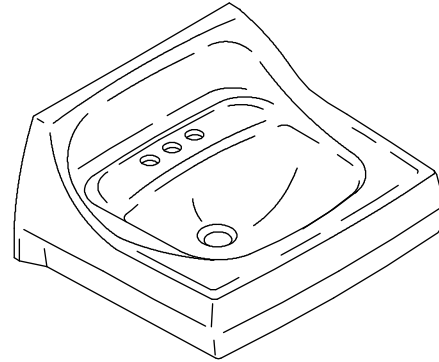
### WALL-MOUNT BATHROOM SINK K-2005

ALSO K-2006, K-2007

ADA

CSA B651

OBC



### Codes/Standards Applicable

Specified model meets or exceeds the following:

- ADA
- ICC/ANSI A117.1
- CSA B651
- OBC
- ASME A112.19.2/CSA B45.1

### Colors/Finishes

- 0: White
- Other: Refer to Price Book for additional colors/finishes

### Accessories

- CP: Polished Chrome
- Other: Refer to Price Book for additional colors/finishes

### Specified Model

| Model    | Description  | Colors/Finishes            |                                     |
|----------|--|----------------------------|-------------------------------------|
| K-2005   | Bathroom sink with 4" (102 mm) centers less soap dispenser hole          | <input type="checkbox"/> 0 | <input type="checkbox"/> Other_____ |
| K-2005-L | Bathroom sink with 4" (102 mm) centers with soap dispenser hole on left  | <input type="checkbox"/> 0 | <input type="checkbox"/> Other_____ |
| K-2005-R | Bathroom sink with 4" (102 mm) centers with soap dispenser hole on right | <input type="checkbox"/> 0 | <input type="checkbox"/> Other_____ |
| K-2006   | Bathroom sink with 8" (203 mm) centers less soap dispenser hole          | <input type="checkbox"/> 0 | <input type="checkbox"/> Other_____ |
| K-2007   | Bathroom sink with single-hole less soap dispenser hole                  | <input type="checkbox"/> 0 | <input type="checkbox"/> Other_____ |
| K-2007-L | Bathroom sink with single-hole with soap dispenser hole on left          | <input type="checkbox"/> 0 | <input type="checkbox"/> Other_____ |
| K-2007-R | Bathroom sink with single-hole with soap dispenser hole on right         | <input type="checkbox"/> 0 | <input type="checkbox"/> Other_____ |

#### Recommended Accessories

|        |        |                             |                                     |
|--------|--------|-----------------------------|-------------------------------------|
| K-8998 | P-Trap | <input type="checkbox"/> CP | <input type="checkbox"/> Other_____ |
|--------|--------|-----------------------------|-------------------------------------|

### Product Specification

Bathroom sink shall be made of vitreous china. The sink shall be 21-1/4" (540 mm) in length and 18-1/8" (460 mm) in width. Sink shall be wall-mounted with hangers. Sink shall have 8" (203 mm) centers (K-2006), 4" (102 mm) centers (K-2005), or single-hole (K-2007). Sink shall have overflow. Sink shall be drilled for concealed arm carrier. Sink shall have optional soap dispenser hole left (-L) or right (-R). Sink shall be Kohler Model K-\_\_\_\_\_-\_\_\_\_\_-\_\_\_\_\_.

## Technical Information

|   |                             |
|---|-----------------------------|
| Fixture*:                                       |                             |
| Basin area                                      | 16" (406 mm) x 10" (254 mm) |
| Water depth                                     | 3-1/8" (79 mm)              |
| Drain hole                                      | Ø 1-3/4" (44 mm)            |
| * Approximate measurements for comparison only. |                             |

| Holes          | K-2005           | K-2006           | K-2007           |
|----------------|------------------|------------------|------------------|
| Spout          | Ø 1-1/4" (32 mm) | Ø 1-3/8" (35 mm) | Ø 1-3/8" (35 mm) |
| Faucet         | Ø 1-1/4" (32 mm) | Ø 1-3/8" (35 mm) |                  |
| Soap dispenser | Ø 1-1/4" (32 mm) |                  | Ø 1-1/4" (32 mm) |

|                      |       |
|----------------------|-------|
| Included components: |       |
| Hanger               | 64839 |

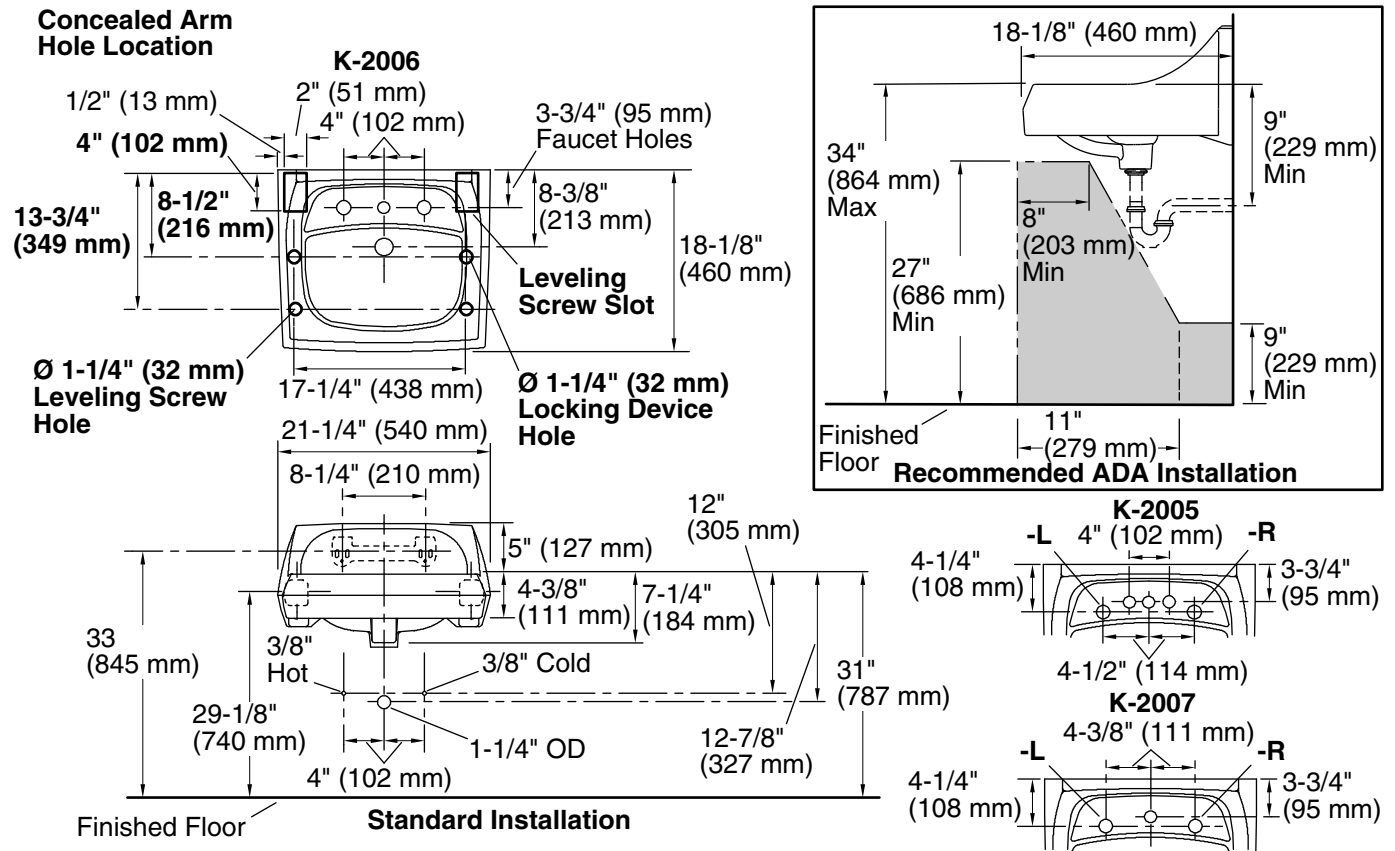
## Installation Notes

Install this product according to the installation guide.

Will comply with **ADA** when installed per Section 606 Lavatories of the Act.

Will comply with **CSA B651** when installed per Clause 4.3.3 of the standard.

Will comply with **OBC** when installed per Clause 3.8.3.11.



## Product Diagram