



Vault™
Under-mount Apron Front Kitchen Sink
K-3945

Features

- 36-inch minimum base cabinet width.
- 18-gauge stainless steel.
- Under-mount.
- Large/medium bowls.
- Smart Divide® lowered divider.
- With integral shortened self-trimming apron.
- SilentShield® sound-absorption technology offers quieter performance.
- 35-1/2" (902 mm) x 21-1/4" (540 mm)

Optional Accessories

- K-6434 Saddle Utility Rack
- K-6477 Sink Rack
- K-8801 Sink Strainer

Components

- Product includes:
- 91915 Hardware Kit
 - K-6476 Sink Rack

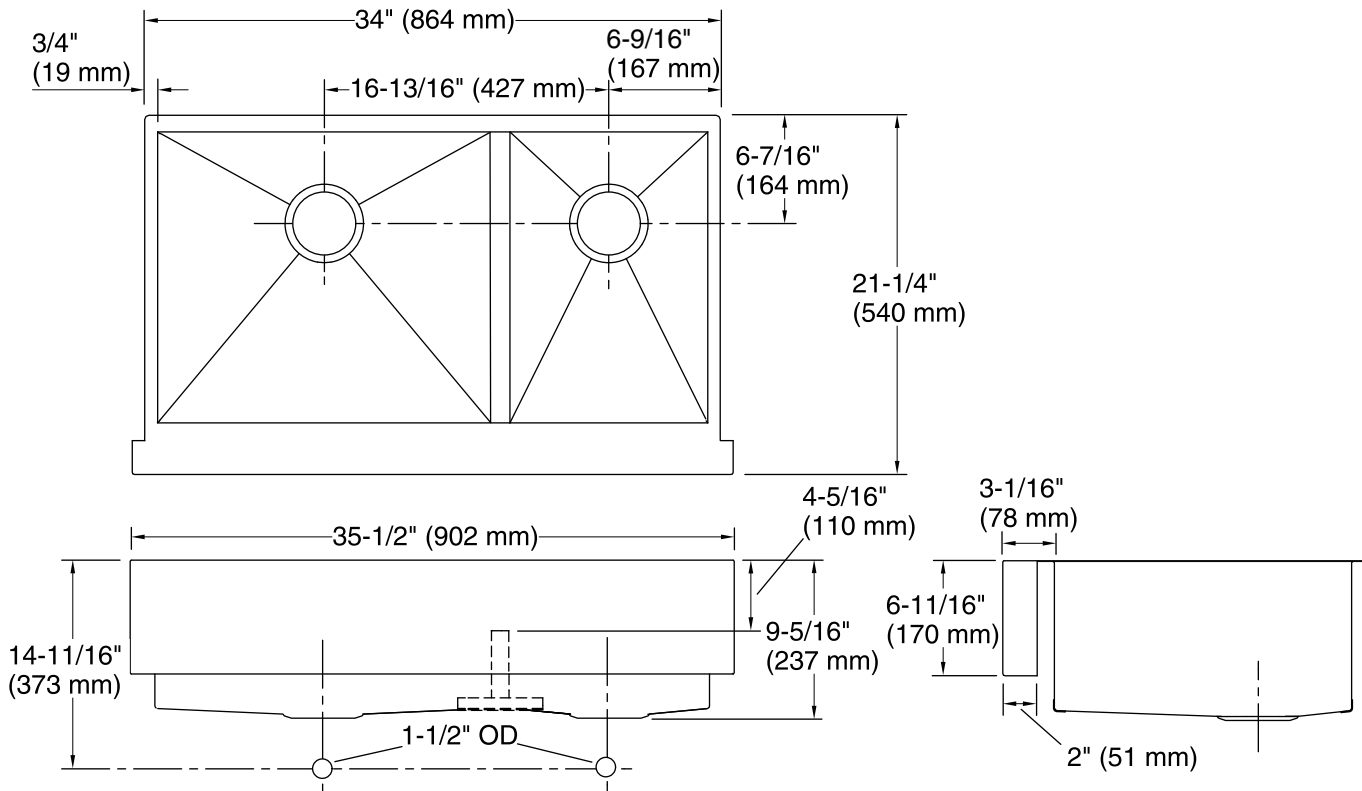


Codes/Standards

ASME A112.19.3/CSA B45.4

**Lifetime Limited Warranty for
KOHLER® Stainless Steel Sinks**

See website for detailed warranty information.



Technical Information

All product dimensions are nominal.

Bowl configuration:	Offset
Installation:	Under-mount
Min. base cabinet width:	36" (914 mm)
Bowl area (Left)	Length: 19-11/16" (500 mm) Width: 17-3/16" (437 mm) Bowl depth: 9" (229 mm)
Bowl area (Right)	Length: 11-11/16" (297 mm) Width: 17-3/16" (437 mm) Bowl depth: 9" (229 mm)
Drain hole:	3-11/16" (94 mm)
Template:	1166719-7, required, included

Notes

Install this product according to the installation instructions.

The 3/4" (19 mm) side rim flanges are supported without using the clip attachment. See the installation guide for further instructions.