



Retrofit Shower Floors

With Fit-Flo™ Drain

Manufactured from Veritek®
(See page 2 for detailed information.)

Veritek® SHOWER FLOORS

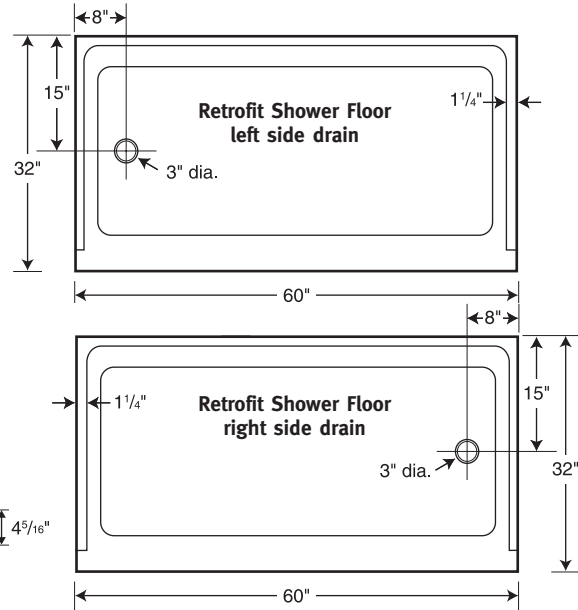
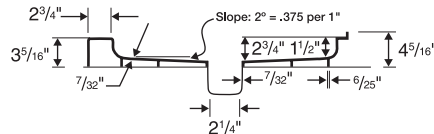
WARRANTY
Limited Lifetime – Residential
Limited 5-year – Commercial

FEATURES

- Will not mold or mildew, no grout to clean.
- Coordinates with other Swanstone or Veritek® products.
- Pebbled, slip-resistant surface.
- Made of Veritek® with no surface coating to chip or crack.
- Without expensive plumbing re-work, this floor can be installed in the same space once occupied by a standard bathtub.

Model	Nominal Size	Rough-In Dimensions			
		60"	32"	8"	15"
FR-3260L (Left Drain)	32" x 60"	60-3/8"	32-3/16"	8-3/16"	15-3/16"
FR-3260R (Right Drain)	32" x 60"	60-3/8"	32-3/16"	8-3/16"	15-3/16"

IMPORTANT: Rough-in dimensions are provided for reference only. You must measure the actual shower floor and check local building code requirements before construction of the stud wall.



SPECIFICATIONS

Retrofit Shower Floors With Fit-Flo™ Drain

Model	Part	Nominal Size Dimensions	Ship Wt. Lb.	Ship FedEx	Carton Dims. In.	Cu. Ft.
FR-3260L (Left Drain)	FR3260LM	32" D x 60" W (813 mm x 1524 mm)	56	-	66 x 37 x 10	15
FR-3260R (Right Drain)	FR3260RM	32" D x 60" W (813 mm x 1524 mm)	56	-	66 x 37 x 10	15

Includes: One code-approved compression-molded Veritek® shower floor with molded-in Fit-Flo drain.

Packaging: Each floor packed in a rectangular carton.

STANDARDS AND RATINGS

American National Standard Institute—ANSI Z124.1.2
International Association of Plumbing and Mechanical Officials (IAPMO)—Listed
CSA Standard B45.5 by IAPMO
Uniform Plumbing Code (UPC)

For a complete list of tests and results see the Technical Data Sheet.

SUPPORT DOCUMENTS

Installation instructions available at swanstone.com.

MADE IN USA

COLORS

(See inside back cover for color sample.)

- White (010)
- Bone (037)
- Bisque (018)
- Bright White (137)
- Pearl (138)

MAINTENANCE AND CLEANING INFORMATION

Clean regularly with common household liquid cleaners and a sponge or soft cloth. For hard water stains, scale removers can be used. If necessary, abrasive cleaners can be used with a nylon brush or pad to remove build up on the shower floor surface. **Do not** use a metal-scouring pad or a wire brush, as it will damage the surface. **Do not** use "leave on" cleaning products, such as automatic spray shower cleaners. Prolonged contact with harsh chemicals could have an adverse reaction over time and discolor surfaces. **Do not** use cleaning agents that caution use on acrylic, polyester or plastics.