

# SharkBite Max™

## Angle Stop

SharkBite Max™ allows users to connect pipe with ease - no tools needed. This new design features a stainless steel retainer for extra strength, and a lower insertion effort than previous versions of SharkBite Brass Push-to-Connect fittings. SharkBite Max fittings do not require a PEX stiffener and are compatible with PEX, copper, CPVC, PE-RT and HDPE\*.

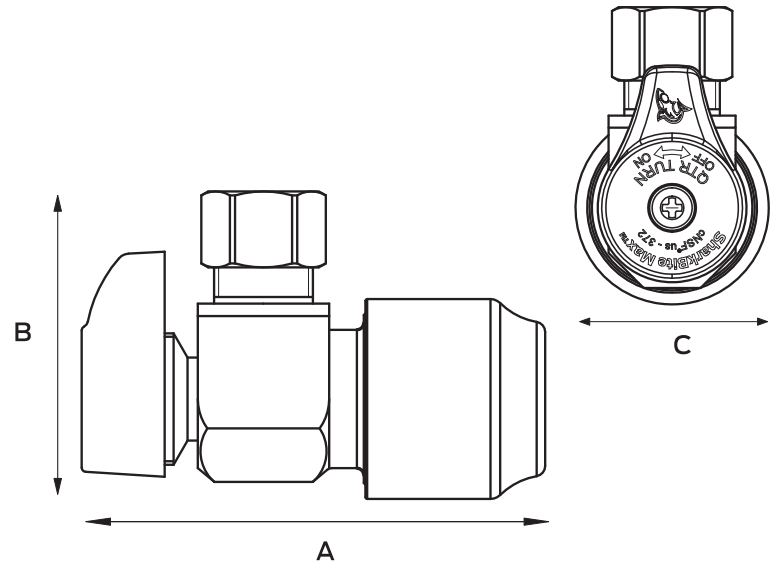
### Applications

Residential and commercial potable water, recirculation, hydronic heating/cooling (up to 50% glycol concentration).

### Specification Data

Materials	
Body	Lead-Free DZR Brass
O-ring	EPDM
Steel Retainer	304 Stainless Steel
Grab Ring	316 Stainless Steel

Pipe Insertion Depth		Performance	
Fitting Size	Insertion Depth	Max Working Pressure	
1/2"	1.00 in.	Max Pressure	125 psi
3/4"	1.25 in.	Max Temperature	160°F (71°C)



Dimensions (inches)				
Part #	Size	A	B	C
UR23336	1/2" x 1/4" Comp	2.6	1.6	1.1
UR23036	1/2" x 3/8" Comp	2.6	1.7	1.1
UR23036BN	1/2" x 3/8" Comp	2.6	1.7	1.1

### Certifications & Listings

ASME A112.18.1/CSA B125.1, NSF/ANSI/CAN 61: Q ≤ 0.5, NSF/ANSI/CAN 372

For listing information, please contact Customer Service

\* HDPE installations must use a tube stiffener. Sold separately by HDPE manufacturer.

Product Submittal	
Name	
Date	
Architect/Owner	
Contractor	
Tag	
Notes	