



**Features**

- Bath and integral apron eliminates installation step.
- Above-floor-drain (AFD) rough-in.
- Durable high-gloss finish.
- 2" (51 mm) wainscot/tile ledge.
- 18-3/4" (476 mm) bath depth (floor to top of threshold).
- 60" (1524 mm) x 30" (762 mm) x 20-3/4" (527 mm) finished dimensions.

**Material**

- Compression molded from our exclusive solid Vikrell® material.



**ADA**

**Codes/Standards**



- CSA B45.5/IAPMO Z124
- ASTM E162
- ASTM E662
- Greenguard UL 2818 - Gold
- ADA
- ICC/ANSI A117.1
- HUD, UM Bulletin 73

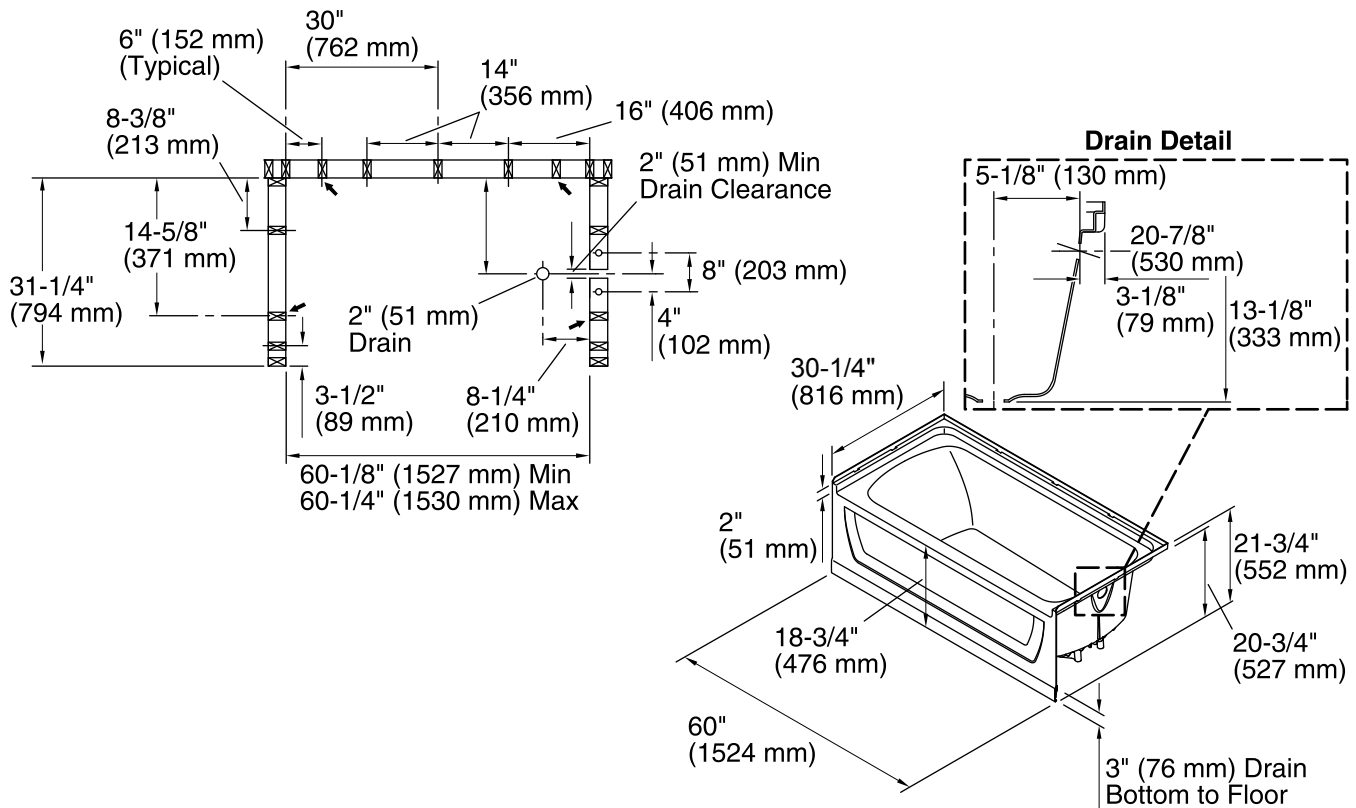
**Warranty – Bathing Fixtures (and) Kitchen and Utility Sinks Made of Solid Vikrell® Material**

See website for detailed warranty information.

**Available Color/Finishes**

*Color tiles intended for reference only.*

Color	Code	Description
	0	White
	96	KOHLER Biscuit



### Technical Information

All product dimensions are nominal.

Installation: 3-Wall Alcove

Drain location: Right

Basin area, bottom: 45" x 20" (1143 mm x 508 mm)

Basin area, top: 53" x 23" (1346 mm x 584 mm)

Water depth: 11-1/4" (286 mm)

Water capacity: 44 gal (166.6 L)

Minimum flat for door: 2-3/4" (70 mm)

Maximum door width: 57-11/16" (1465 mm)

### Notes

Install this product according to the installation instructions.

Studs should be positioned roughly as shown.

Double studding is recommended for pivot shower door installations.

ADA compliant when installed to the specific requirements of these regulations.