

STERLING®

A KOHLER COMPANY

SPRINGDALE®

SINGLE BOWL BAR SINK

UCL1515

ALSO UCL1515B

ADA

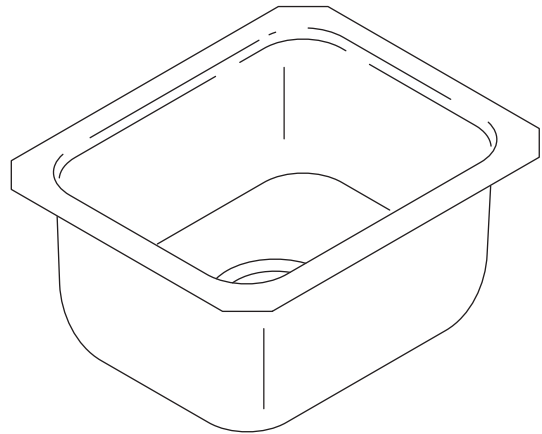
Features

- 19-gauge stainless steel
- Includes SilentShield® sound-absorption technology
- Spacious 7" (178 mm) deep bowl
- Single bowl
- Satin finish
- Under-mount rimless design
- Wide under-mount lip
- Installation hardware included for each type of installation
- 14-1/4" (362 mm) x 11-3/4" (298 mm) x 7" (178 mm)

Codes/Standards Applicable

Specified model meets or exceeds the following:

- ASME A112.19.3/CSA B45.4
- ICC/ANSI A117.1
- ADA



Colors/Finishes

- NA: None applicable

Specified Model

Model	Description	Holes	Large Basin Depth	Colors/Finishes
UCL1515	Single bowl bar sink	0	7" (178 mm)	<input type="checkbox"/> NA
UCL1515B	Single bowl bar sink with strainer	0	7" (178 mm)	<input type="checkbox"/> NA

SPRINGDALE®

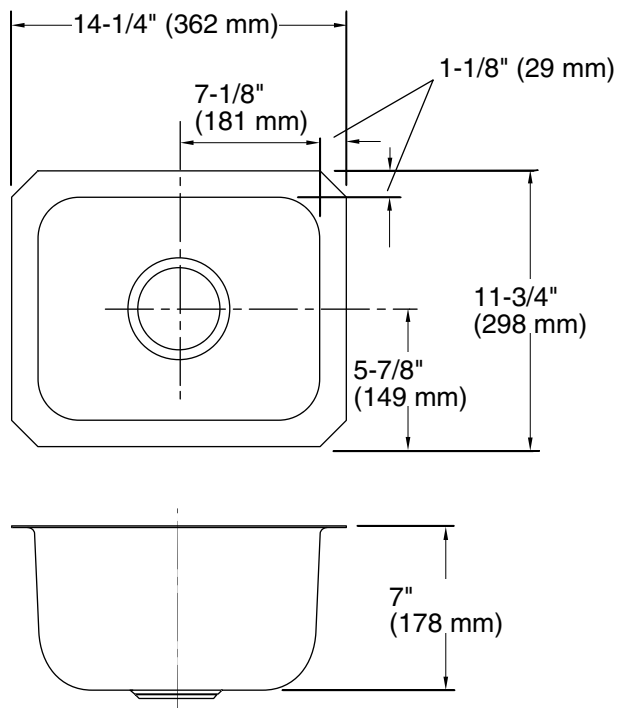
Technical Information

Fixture:*	
Bowl area	12" (305 mm) x 9-1/2" (241 mm)
Water depth	7" (178 mm)
Drain hole	Ø 3-5/8" (92 mm)
* Approximate measurements for comparison only.	

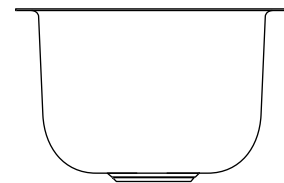
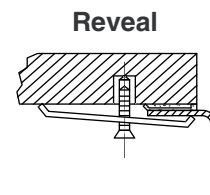
Included components:	
Cut-out template	1030069-7
Strainer (for UCL1515-B only)	7400

Installation Notes

Install this product according to the installation guide.



Mounting bracket assembly provides a secure installation.



Product Diagram