

### Features

- Patented K-joint installation ensures consistent trim appearance, regardless of variability in valve rough-in
- Ergonomic lever handle is ADA-compliant
- Trim requires valve to complete
- KOHLER finishes resist corrosion and tarnishing, exceeding industry durability standards over two times

### Required Accessories

K-2974-K 1/2" Volume Control Valve

or

K-2977-K 3/4" Volume Control Valve



ADA

CSA B651

OBC

### Codes/Standards

ASME A112.18.1/CSA B125.1

ADA

ICC/ANSI A117.1

CSA B651









OBC

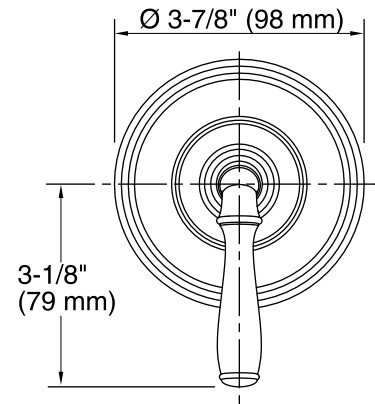
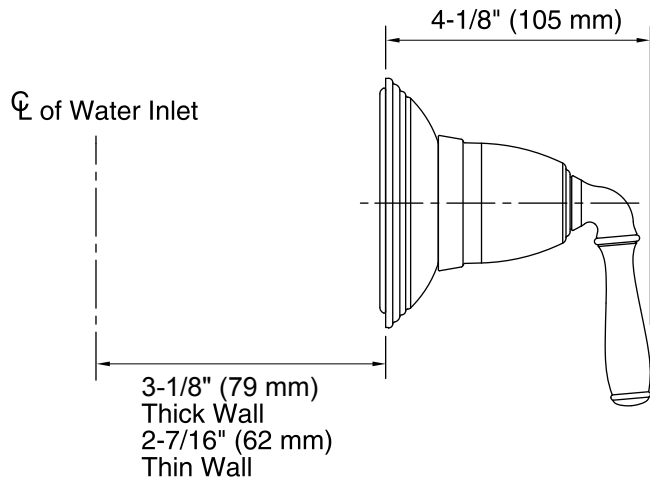
### KOHLER® Faucet Lifetime Limited Warranty

See website for detailed warranty information.

### Available Color/Finishes

*Color tiles intended for reference only.*

Color	Code	Description
	CP	Polished Chrome
	SN	Vibrant® Polished Nickel
	PB	Vibrant® Polished Brass
	G	Brushed Chrome
	BN	Vibrant® Brushed Nickel
	BV	Vibrant® Brushed Bronze
	BRZ	Oil-Rubbed Bronze
	2BZ	Oil-Rubbed Bronze



**K-T10358**

**Technical Information**

All product dimensions are nominal.

**Notes**

Install this product according to the installation guide.

ADA, OBC, CSA B651 compliant when installed to the specific requirements of these regulations.