

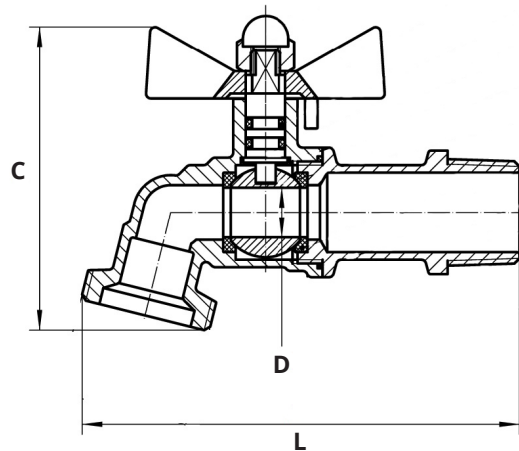
# SSH52 SERIES 304 STAINLESS SERIES HOSE BIBB 1/4 TURN

## SPECIFICATION:

- Threads conform to ANSI/ASME B1.20.1
- Hose thread outlet 3/4" GHT
- Max Pressure Rating: 200 PSI
- Max Temperature Rating: 248°F (120°C)
- Stem packing material: Dual O-ring Rubber (NBR)
- Seat material: PTFE
- 304 stainless steel handle

## CERTIFICATION:

- NSF/ANSI Standard 372 Certified



MATERIAL LIST	
Part Name	Material
Bonnet	304 Stainless Steel
Gasket	PTFE
Ball Seat	PTFE
Ball	304 Stainless Steel
Body	304 Stainless Steel
Stem	304 Stainless Steel
O-Ring	Rubber (NBR)
Handle	304 Stainless Steel
Nut	304 Stainless Steel

DIMENSIONS								
Part No.	Description	D		L		C		Weight grams
		inches	mm	inches	mm	inches	mm	
SSH52-05	1/2" MPT	0.40	10.00	2.40	61.00	3.50	88.00	160
SSH52-07	3/4" MPT	0.40	10.00	2.40	61.00	3.60	92.00	180



25 Whaley Avenue, PO Box 310, Milverton, ON CANADA N0K 1M0  
Tel: 800-561-3164

[boshart.com](http://boshart.com) ♦ [blog.boshart.com](http://blog.boshart.com)