

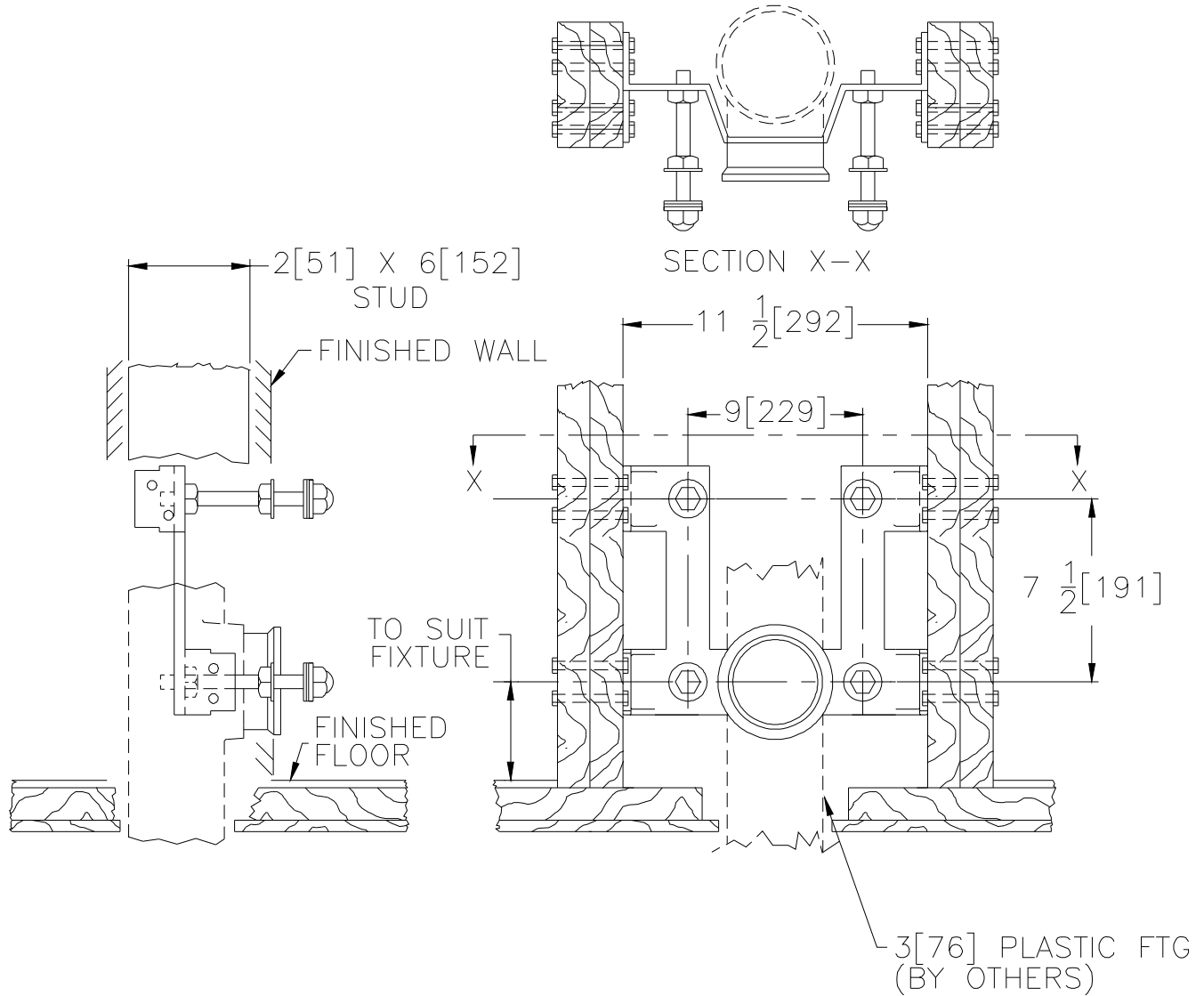


Z1283

WOOD STUD SUPPORTED WATER CLOSET CARRIER FOR PLASTIC PIPE

TAG _____

Dimensional Data (inches and [mm]) are Subject to Manufacturing Tolerances and Change Without Notice



Product Number	Approx. Wt. Lbs. [kg]
Z1283-P3	25[12]

ENGINEERING SPECIFICATION: ZURN Z1283-P3 Residential water closet support system. Complete with Dura-Coated support brackets and coupling support, ABS coupling, fixture bolts, trim and bonded "Neo-Seal" gasket.

PREFIXES

___ Z Dura-Coated Bracket System*

SUFFIXES

- ___ -CL Coupling Length Greater Than 3[76] (Specify Length)
- ___ -HT Hanger Type Closet Adapter
- ___ -X4 4[102] Carrier Foot Extension (For -Y only)
- ___ -Y Foot Support System

REV. F	DATE: 12/6/10	C.N. NO. 120620
DWG. NO. 59397	PRODUCT NO. Z1283	

*REGULARLY FURNISHED UNLESS OTHERWISE SPECIFIED