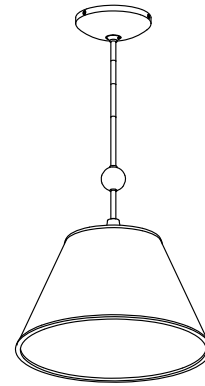


Features

- Dramatic tapered fabric shades with metal trim and decorative sphere motif create a beautiful accent for interior spaces
- Modernist references are reinterpreted to create a timeless design that works in a range of interior styles and settings
- This collection is at home in modern and traditional interiors
- Place in multiples for beautiful lighting over a kitchen island
- Medium base (E26) socket, works best with clear or white type A light bulbs (sold separately)
- Suitable for damp locations, per UL 1598

Material

- Manufactured with quality materials and complemented with a meticulous finishing process
- Durable finishes engineered to last and designed to coordinate with KOHLER faucet finishes



Codes/Standards

UL 1598
CSA C22.2 No. 250.0

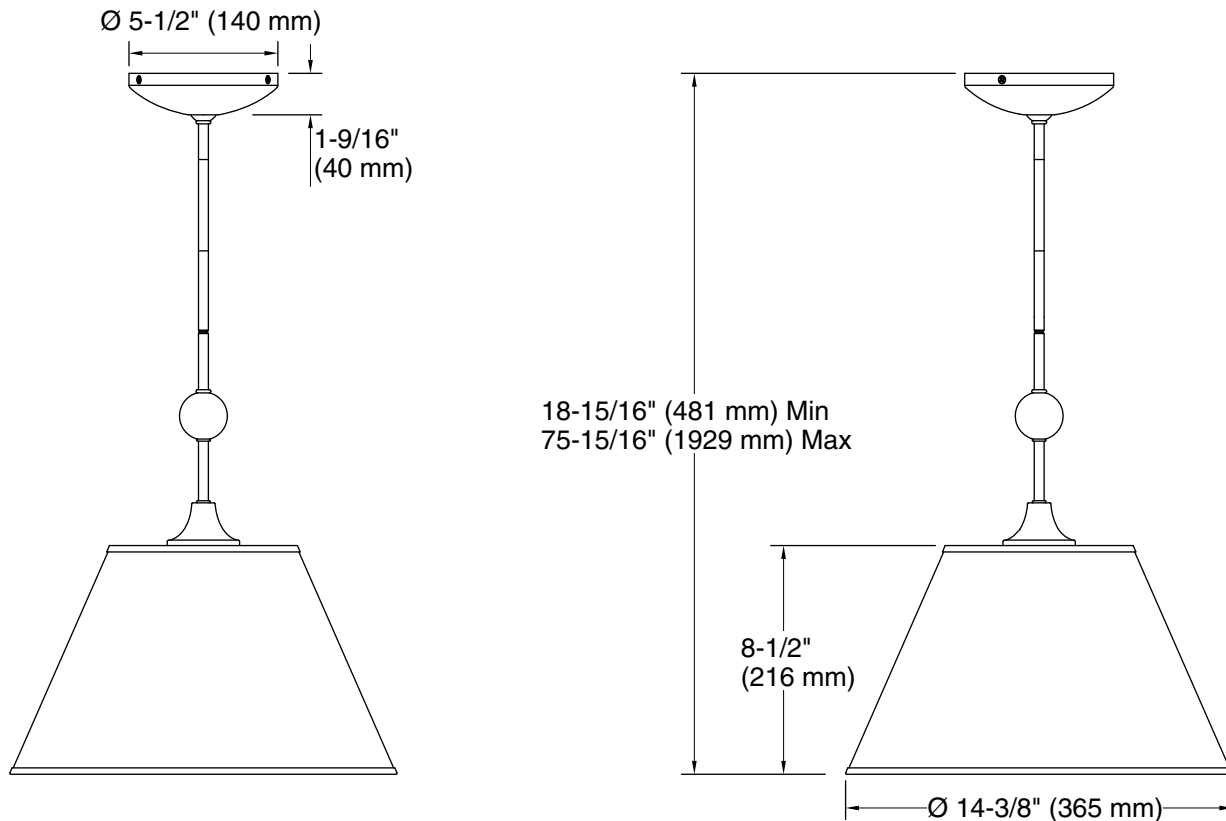
KOHLER® Indoor Lighting Fixtures Limited Warranty

See website for detailed warranty information.

Available Colors/Finishes

Color tiles intended for reference only.

Color	Code	Description
	SNL	Polished Nickel
	2GL	Brushed Moderne Brass
	2PL	Polished Brass
	GNL	Gunmetal



Required Electrical Service

One dedicated circuit required.

Lights: 120 V, 0.833 A, 60 Hz

Technical Information

All product dimensions are nominal.

Material: Steel, Aluminum

Number of Lights: 1

Lighting Type: Socket-based

Socket Type: E-26 Medium

Number of Shades: 1

Shade Type: Fabric

Hanging Type: Downrod

Downrod Detail: 1 x 3" (76 mm), 1 x 6" (152 mm), 1 x 12" (305 mm), 2 x 18" (457 mm)

Height: 18-7/8" (480 mm) -
75-15/16" (1928 mm)

Electrical component rating: Socket Rating: 60 Hz, 100 W