

## For Commercial and Industrial Applications

Job Name \_\_\_\_\_

Contractor \_\_\_\_\_

Job Location \_\_\_\_\_

Approval \_\_\_\_\_

Engineer \_\_\_\_\_

Contractor's P.O. No. \_\_\_\_\_

Approval \_\_\_\_\_

Representative \_\_\_\_\_

# LEAD FREE\*

## G2 Series LFB6080-G2-SS, LFB6081-G2-SS 2-Piece, Full Port, Lead Free\* Bronze Ball Valves with Stainless Steel Trim

Sizes: 1/4" – 4"

The G2-SS series ball valves are a 2-Piece, Full Port, Lead Free, Bronze valve with Stainless Steel trim. These products are ideal for potable water, commercial, and industrial applications. These valves feature a blowout proof stem, as well as a full-port design which ensures minimal pressure drop. The G2-SS series offers multiple models for solder and NPT end-connections with NSF-61G certification.

### Features

- Lead Free\*, forged bronze body and adapter
- Full-port flow
- Full range of sizes from 1/4" – 4"
- Certified to NSF-61G
- 316 Stainless steel ball and stem
- Minimal pressure drop due to large ports
- Blowout proof, pressure retaining stem
- Adjustable stem packing gland
- White handles for easy Lead Free\* identification
- 100% Factory tested in USA
- Used in potable water, commercial, industrial applications for a full range of liquids and gases

### Models

**LFB6080 G2-SS** 1/4" – 4" 316 stainless steel ball and stem threaded NPT end connections

**LFB6081 G2-SS** 3/8" – 3" 316 stainless steel ball and stem solder end connections

Please refer to [watts.com](http://watts.com) for BAA information on specific models.

### NOTICE

The information contained herein is not intended to replace the full product installation and safety information available or the experience of a trained product installer. You are required to thoroughly read all installation instructions and product safety information before beginning the installation of this product.

Watts product specifications in U.S. customary units and metric are approximate and are provided for reference only. For precise measurements, please contact Watts Technical Service. Watts reserves the right to change or modify product design, construction, specifications, or materials without prior notice and without incurring any obligation to make such changes and modifications on Watts products previously or subsequently sold.



### Pressure – Temperature

#### Temperature Range:

0°F - 400°F (-18°C – 205°C) @ 50psi (3.4 bar)

#### Pressure Range:

1/4" – 2" 600psi (41 bar) WOG, non-shock;  
150psi (10.3 bar) WSP

2 1/2" – 4 400psi (27.5 bar) WOG, non-shock;  
125psi (8.6 bar) WSP

### Specifications

A 2-piece full port Lead Free\* bronze ball valve to be installed as indicated on the plans. Valves with top loaded stems or valves without adjustable packing are not acceptable. Pressure up to 600psi for 1/4" to 2" and 400psi for 2 1/2" to 4". The valve shall be constructed using Lead Free\* bronze. Lead Free\* ball valves shall comply with state codes and standards, where applicable, requiring reduced lead content. Valve must conform to NSF-61G and shall be a Watts Series LFB6080G2-SS (threaded) or LFB6081G2-SS (solder).

### Standards

Tested and Certified by NSF International  
NSF-61 Potable Water and NSF 372 low lead.  
Complies with MSP-110



### Applications

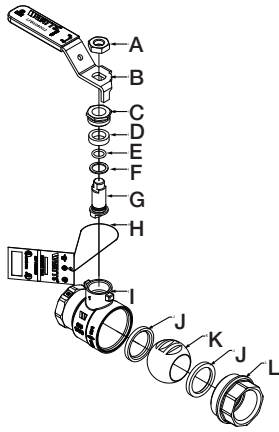
- Full range of fluids
- Hydronic Heating (90% glycol max)
- Low Pressure Steam, 15 psi max
- Not applicable for flammable gas installations
- Not compatible with soft annealed copper tubing

\*The wetted surface of this product contacted by consumable water contains less than 0.25% of lead by weight.

### NOTICE

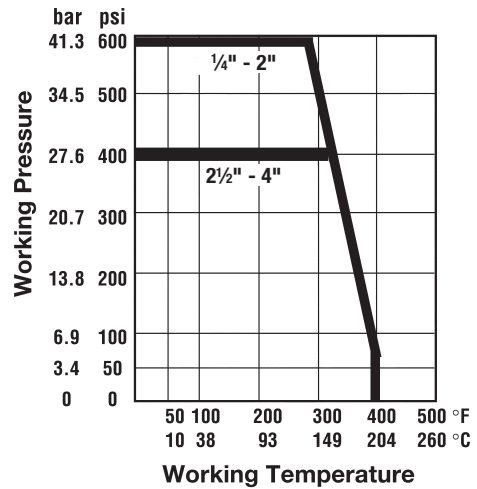
For soldered versions, heat **MUST** be directed **AWAY** from the center of the valve body as excessive heat harm the seats. After soldering, the packing nut may have to be tightened.

## Materials

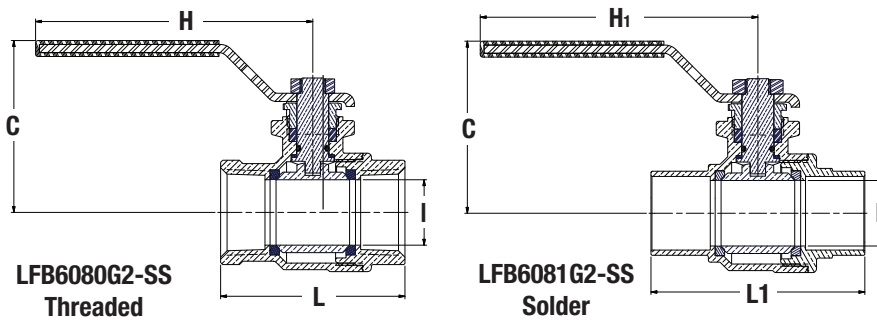


- A. Handle Nut            Zinc-plated carbon steel
- B. Handle Assembly    Zinc-plated carbon steel with vinyl insulator
- C. Packing Nut            Brass
- D. Stem Packing        Virgin PTFE
- E. O-ring                Fluorocarbon elastomer (FKM)
- F. Thrust Washer        Virgin PTFE
- G. Stem                 316 Stainless Steel
- H. Tag                    Cardboard, Mylar coated both sides
- I. Body                  Forged Lead Free\* bronze
- J. Seats                 Virgin PTFE
- K. Ball                  316 Stainless Steel
- L. Adapter                Forged Lead Free\* bronze

## Temperature – Pressure



## Dimensions – Weights



SIZE	DIMENSIONS										WEIGHT			
	C			H, H1		I		L		L1		LFB6080G2		LFB6081G2
in	in	mm	in	mm	in	mm	in	mm	in	mm	lbs.	kg	lbs.	kg
1/4"	1 <sup>13</sup> / <sub>16</sub>	46	3 <sup>7</sup> / <sub>16</sub>	87	7 <sup>1</sup> / <sub>16</sub>	11	1 <sup>3</sup> / <sub>4</sub>	47	-	-	0.4	0.2	-	-
3/8"	1 <sup>13</sup> / <sub>16</sub>	46	3 <sup>7</sup> / <sub>16</sub>	87	1/2	13	1 <sup>7</sup> / <sub>8</sub>	48.3	1 <sup>15</sup> / <sub>16</sub>	49	0.4	0.2	0.4	0.18
1/2"	1 <sup>13</sup> / <sub>16</sub>	46	3 <sup>7</sup> / <sub>16</sub>	87	1/2	13	2	57	2 <sup>1</sup> / <sub>8</sub>	54	0.5	0.22	0.4	0.18
3/4"	2 <sup>1</sup> / <sub>4</sub>	58	3 <sup>9</sup> / <sub>16</sub>	101	3/4	19	2 <sup>1</sup> / <sub>4</sub>	58	3	76	0.9	0.41	0.8	0.36
1"	2 <sup>5</sup> / <sub>8</sub>	67	4 <sup>1</sup> / <sub>4</sub>	108	1	26	3	77	3 <sup>1</sup> / <sub>2</sub>	89	1.4	0.65	1.3	0.57
1 <sup>1</sup> / <sub>4</sub> "	2 <sup>13</sup> / <sub>16</sub>	72	4 <sup>1</sup> / <sub>4</sub>	108	1 <sup>1</sup> / <sub>4</sub>	32	3 <sup>3</sup> / <sub>8</sub>	86	3 <sup>3</sup> / <sub>8</sub>	98	2.1	0.94	1.8	0.82
1 <sup>1</sup> / <sub>2</sub> "	3 <sup>3</sup> / <sub>16</sub>	80	5 <sup>5</sup> / <sub>16</sub>	135	1 <sup>1</sup> / <sub>2</sub>	38	3 <sup>11</sup> / <sub>16</sub>	93	4 <sup>5</sup> / <sub>16</sub>	109	3.1	1.4	2.7	1.23
2"	3 <sup>1</sup> / <sub>2</sub>	89	6	153	2	51	4 <sup>1</sup> / <sub>4</sub>	108	5 <sup>3</sup> / <sub>8</sub>	136	4.9	2.25	4.4	2.02
2 <sup>1</sup> / <sub>2</sub> "	4 <sup>1</sup> / <sub>16</sub>	104	7 <sup>3</sup> / <sub>8</sub>	187	2 <sup>1</sup> / <sub>2</sub>	63.6	5 <sup>9</sup> / <sub>16</sub>	134	6 <sup>1</sup> / <sub>4</sub>	158	9.0	4.1	8.2	3.7
3"	4 <sup>1</sup> / <sub>2</sub>	114	7 <sup>3</sup> / <sub>4</sub>	197	3	76.3	6 <sup>1</sup> / <sub>16</sub>	154	7 <sup>3</sup> / <sub>8</sub>	185	13.9	6.3	12.9	5.9
4"	5 <sup>3</sup> / <sub>8</sub>	136	9 <sup>5</sup> / <sub>8</sub>	245	7 <sup>1</sup> / <sub>16</sub>	189	7 <sup>1</sup> / <sub>16</sub>	189	-	-	27.7	12.6	-	-

## Ordering Chart

	Valve				Locking Handle Kit			Stem Extension	
	Ordering Code	Description	Connection Type	EDP	Description	Size	EDP	Description	Size
LFB6080G2-SS	0450115	1/4 LFB6080G2-SS	Threaded	88005484	#1 LL-HK LFB6080/1 G2-SS	Fits 1/4" - 1/2"	0789542	SXI-HK-1A StemExtension	1/4"-1/2" 3C/3CM1/G2
	0450116	3/8 LFB6080G2-SS	Threaded	88005484	#1 LL-HK LFB6080/1 G2-SS	Fits 1/4" - 1/2"	0789542	SXI-HK-1A StemExtension	1/4"-1/2" 3C/3CM1/G2
	0450117	1/2 LFB6080G2-SS	Threaded	88005484	#1 LL-HK LFB6080/1 G2-SS	Fits 1/4" - 1/2"	0789542	SXI-HK-1A StemExtension	1/4"-1/2" 3C/3CM1/G2
	0450118	3/4 LFB6080G2-SS	Threaded	88005485	#2 LL-HK LFB6080/1 G2-SS	Fits 3/4"	0789550	SXI-HK-9A StemExtension	3/4" 3C/G2
	0450119	1 LFB6080G2-SS	Threaded	88005486	#3 LL-HK LFB6080/1 G2-SS	Fits 1" - 1 1/4"	0789551	SXI-HK-10A StemExtension	1" - 1 1/4" 3C/G2
	0450120	1 1/4 LFB6080G2-SS	Threaded	88005486	#3 LL-HK LFB6080/1 G2-SS	Fits 1" - 1 1/4"	0789551	SXI-HK-10A StemExtension	1" - 1 1/4" 3C/G2
	0450121	1 1/2 LFB6080G2-SS	Threaded	88005487	#4 LL-HK LFB6080/1 G2-SS	Fits 1 1/2"	0789552	SXI-HK-11A StemExtension	1 1/2" 3C/G2
	0450122	2 LFB6080G2-SS	Threaded	88005488	#5 LL-HK LFB6080/1 G2-SS	Fits 2"	0789546	SXI-HK-5A StemExtension	2" 3C/3CM1/G2
	0422015	2 1/2 LFB6080G2-SS	Threaded	88005490	#6 LL-HK LFB6080/1 G2-SS	Fits 2 1/2"	0789547	SXI-HK-6A StemExtension	2 1/2" 3C/3CM1/G2
	0422016	3 LFB6080G2-SS	Threaded	88005491	#7 LL-HK LFB6080/1 G2-SS	Fits 3"	0789548	SXI-HK-7A StemExtension	3" 3C/3CM1/G2
0422017	4 LFB6080G2-SS	Threaded	88005492	#8 LL-HK LFB6080/1 G2-SS	Fits 4"	0789549	SXI-HK-8A StemExtension	4" 3C/3CM1/G2	
LFB6081G2-SS	0450123	3/8 LFB6081G2-SS	Solder	88005484	#1 LL-HK LFB6080/1 G2-SS	Fits 1/4" - 1/2"	0789542	SXI-HK-1A StemExtension	1/4"-1/2" 3C/3CM1/G2
	0450124	1/2 LFB6081G2-SS	Solder	88005484	#1 LL-HK LFB6080/1 G2-SS	Fits 1/4" - 1/2"	0789542	SXI-HK-1A StemExtension	1/4"-1/2" 3C/3CM1/G2
	0450125	3/4 LFB6081G2-SS	Solder	88005485	#2 LL-HK LFB6080/1 G2-SS	Fits 3/4"	0789550	SXI-HK-9A StemExtension	3/4" 3C/G2
	0450126	1 LFB6081G2-SS	Solder	88005486	#3 LL-HK LFB6080/1 G2-SS	Fits 1" - 1 1/4"	0789551	SXI-HK-10A StemExtension	1" - 1 1/4" 3C/G2
	0450127	1 1/4 LFB6081G2-SS	Solder	88005486	#3 LL-HK LFB6080/1 G2-SS	Fits 1" - 1 1/4"	0789551	SXI-HK-10A StemExtension	1" - 1 1/4" 3C/G2
	0450128	1 1/2 LFB6081G2-SS	Solder	88005487	#4 LL-HK LFB6080/1 G2-SS	Fits 1 1/2"	0789552	SXI-HK-11A StemExtension	1 1/2" 3C/G2
	0450129	2 LFB6081G2-SS	Solder	88005488	#5 LL-HK LFB6080/1 G2-SS	Fits 2"	0789546	SXI-HK-5A StemExtension	2" 3C/3CM1/G2
	0422021	2 1/2 LFB6081G2-SS	Solder	88005490	#6 LL-HK LFB6080/1 G2-SS	Fits 2 1/2"	0789547	SXI-HK-6A StemExtension	2 1/2" 3C/3CM1/G2
	0422022	3 LFB6081G2-SS	Solder	88005491	#7 LL-HK LFB6080/1 G2-SS	Fits 3"	0789548	SXI-HK-7A StemExtension	3" 3C/3CM1/G2



USA: T: (978) 689-6066 • F: (978) 975-8350 • Watts.com  
 Canada: T: (888) 208-8927 • F: (888) 479-2887 • Watts.ca  
 Latin America: T: (52) 55-4122-0138 • Watts.com