

ApolloPress tee PxPxP 3/4"



this article is part of a product group (811) that contains a total of 5 items

[view all 5 items](#) 

group: 811 article: 10077740 category: fittingen product line: Apollo ApolloPress

The ApolloPress® 811 Small Diameter Press Tee features a lead free dezincification resistant copper body and an EPDM o-ring. ApolloPress® products are manufactured utilizing proven ASTM materials and standards.

- Lead Free Construction
- Leak Before Press® Technology

applications

potable water, heating, cooling, compressed air, vacuum, steam, sprinkler

segments

industry , fire protection , utility

approvals

IAPMO/ANSI/CAN Z1117 , ICC LC1002 , CRN , FM , UL , ULc , NSF/ANSI 372 , NSF/ANSI 61

specifications - product info

article	ApolloPress tee PxPxP 3/4"
article number with gtin	10077740 (00683264777408)
product number with gtin	10077740 (00683264777408)
manufacturer	Aalberts integrated piping systems Americas, Inc. (Apollo)
item group	811 811 - ApolloPress tee (P x P x P)
size	3/4"
weight	0.39 lb
dimensions	2.17x3.47x1.24 "

specifications - characteristics

color	copper
materials	copper (CW024A (UNS C12200))
finishing	none
shape	T-piece, 90
connection type	press (V), press (V), press (V)
sealing	EPDM

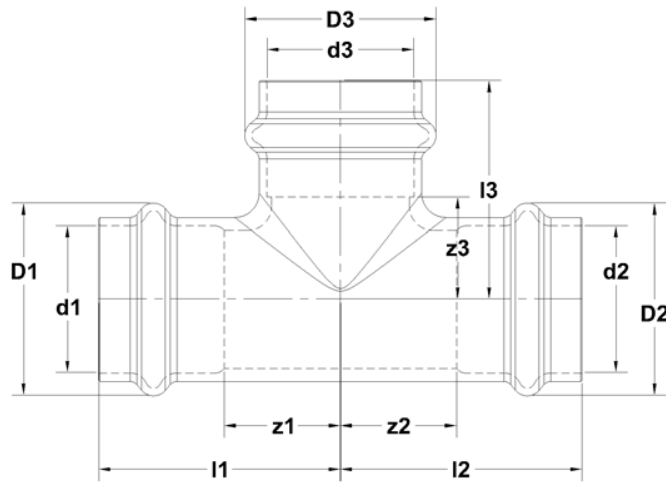
specifications - technical

max operating pressure liquid	300 psi
min. medium temperature	32 °F
max medium temperature	250 °F

specifications - general

product group	ittings (EPDM)
ETIM class	EC003025 Fitting with 3 connections
country of origin	United States
brand	Apollo
series	ApolloPress
product type	811
unsp	40174612

d1	DN1	l1	z1	d2	DN2	l2	z2	d3	DN3	l3	z3
22.2	3/4"	44	22	22.2	3/4"	38	15	22.2	3/4"	44	22



downloads

⬇ 811 - jpg

⬇ ApolloPress Catalog - pdf

⬇ Diagram - png

⬇ ApolloPress Brochure - pdf