



Toccata™
Top-mount Kitchen Sink
K-3847-4

Features

- 36-inch minimum base cabinet width.
- 18-gauge stainless steel.
- Top-mount.
- Double (equal) bowl.
- Three faucet holes with one accessory hole to the right.
- SilentShield® sound-absorption technology offers quieter performance.
- 33" (838 mm) x 22" (559 mm) x 9-1/4" (235 mm)

Recommended Accessories

1177161 Installation Clip Kit

Optional Accessories

K-8801 Sink Strainer
K-3294 Cutting Board
K-6401 Sink Rack
K-6139 Sponge Caddy

Components

Product includes:

1177160 Hardware Kit, Top-mount

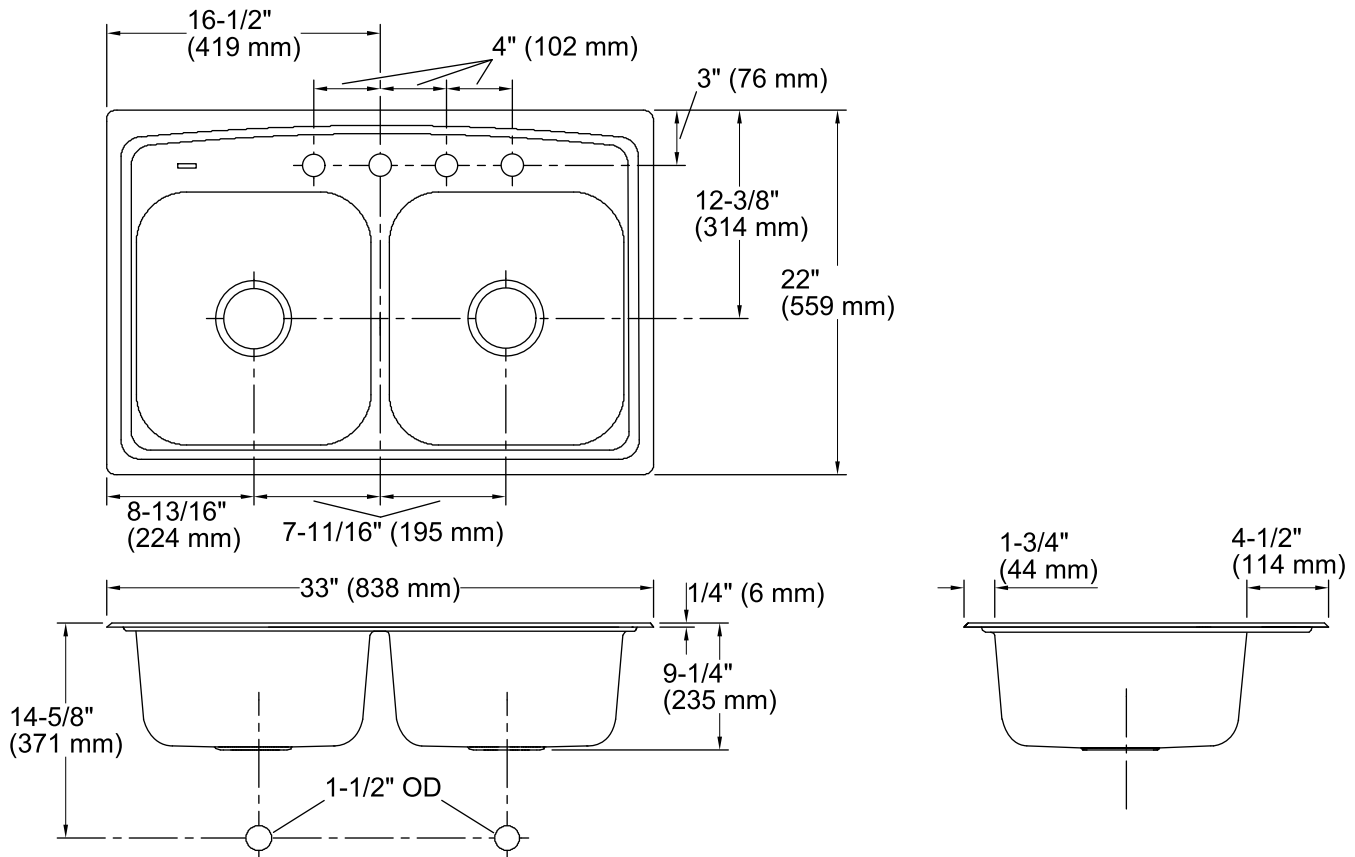


Codes/Standards

ASME A112.19.3/CSA B45.4

**Lifetime Limited Warranty for
KOHLER® Stainless Steel Sinks**

See website for detailed warranty information.



Technical Information

All product dimensions are nominal.

Bowl configuration:	Double equal
Installation:	Top-mount
Cutout:	Top-mount, 32-1/2" x 21-1/2" (826 mm x 546 mm) with 1/2" (13 mm) radius corners
Bowl area (Left)	Length: 14-3/16" (360 mm) Width: 15-3/4" (400 mm) Bowl depth: 9" (229 mm)
Bowl area (Right)	Length: 14-3/16" (360 mm) Width: 15-3/4" (400 mm) Bowl depth: 9" (229 mm)
Number of deck holes:	4
Faucet hole(s):	1-7/16" (37 mm)
Drain hole:	3-5/8" (92 mm)

Notes

Install this product according to the installation instructions.