

### Features

- Painted glass shades perfectly diffuse the light, reducing glare in the bathroom
- Requires bulbs with candelabra (E12) base; type B10 or T10 bulbs recommended (sold separately)
- Suitable for damp locations, per UL 1598
- Coordinates with other products in the Simplice collection
- Fixture is dimmable when paired with dimmer switch and compatible bulbs

### Material

- Manufactured with quality materials and complemented with a meticulous finishing process
- KOHLER finishes resist corrosion and tarnishing

### Installation

- Wall-mount



### Codes/Standards

UL 1598  
CSA C22.2 No. 250.0

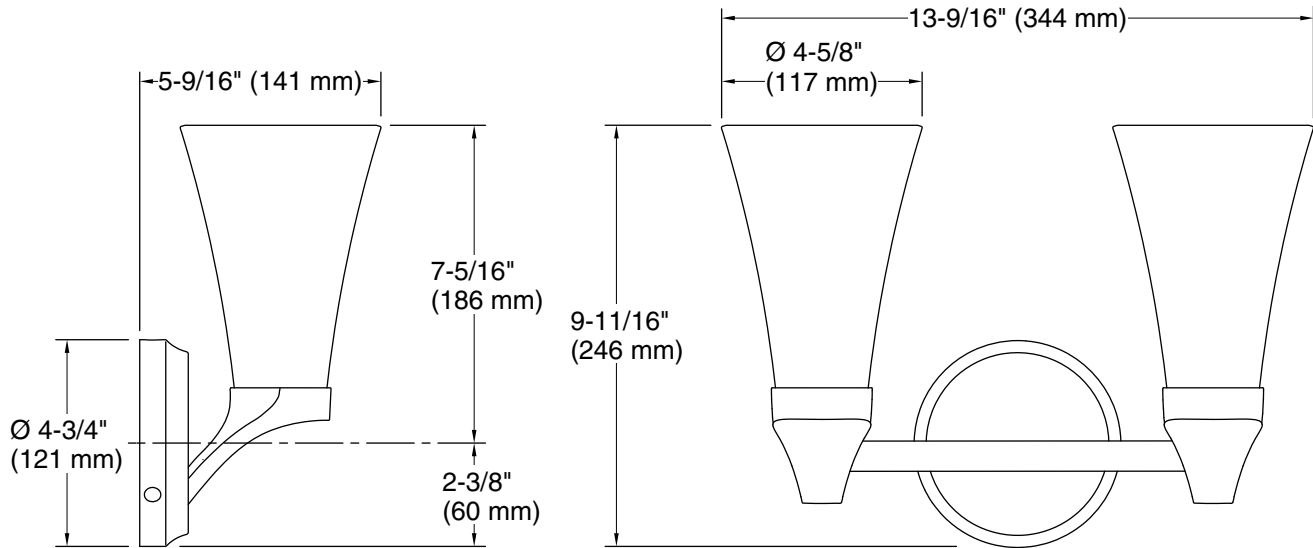
### KOHLER® Indoor Lighting Fixtures Limited Warranty

See website for detailed warranty information.

### Available Colors/Finishes

*Color tiles intended for reference only.*

| Color   | Code | Description           |
|---|------|-----------------------|
|  | BNL  | Brushed Nickel        |
|  | CPL  | Polished Chrome       |
|  | BLL  | Matte Black           |
|  | 2GL  | Brushed Moderne Brass |



## Required Electrical Service

One circuit required.

120 V, 1 A, 60 Hz

## Technical Information

All product dimensions are nominal.

Material: Steel, Glass, Aluminum, Zinc

Number of Lights: 2

Lighting Type: Socket-based

Socket Type: E-12 Candelabra

Number of Shades: 2

Shade Type: Frosted Glass

Hanging Type: Non-hanging

## Notes

Install this product according to the installation instructions.