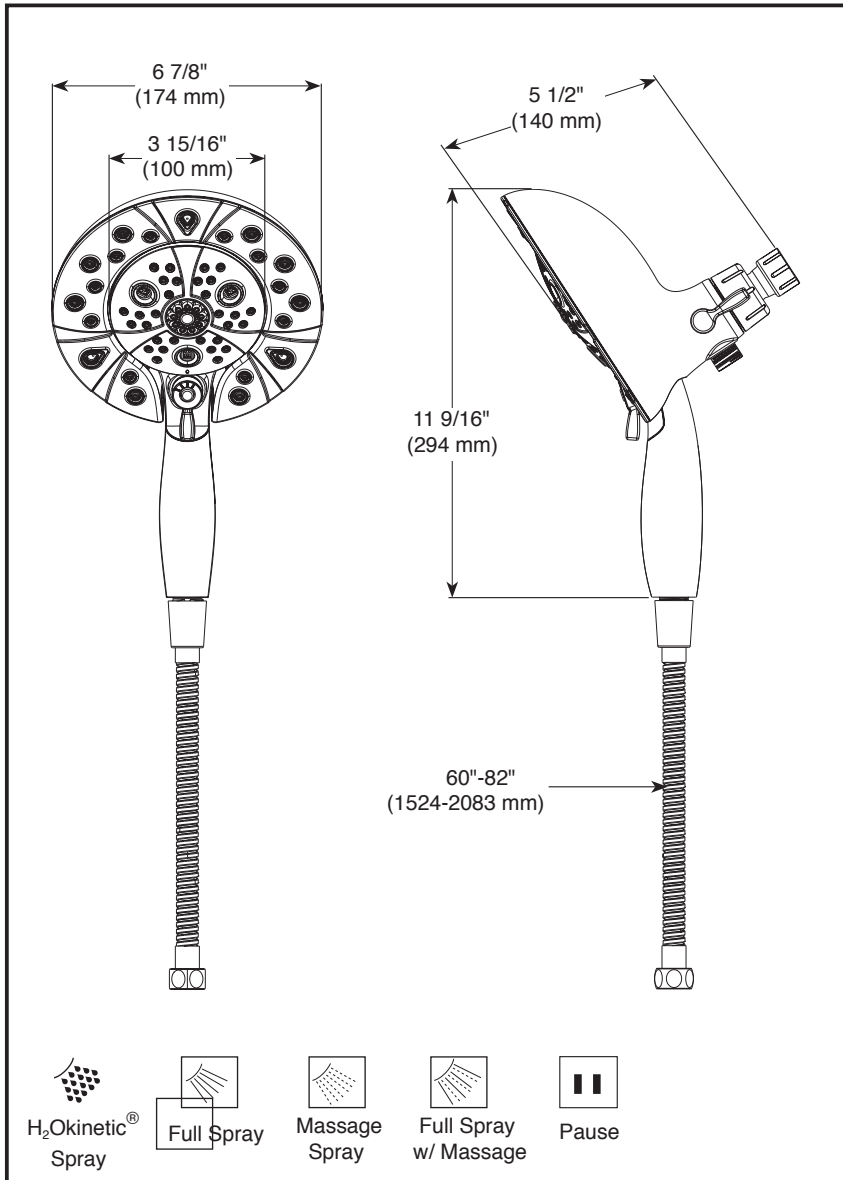


Submitted Model No.: \_\_\_\_\_

Specific Features: \_\_\_\_\_



▲ Designate proper finish suffix



see what Delta can do™

**IN2ITION®**

- 2-In-1 shower
- 5-Spray Setting Handshower
- Certified Dual Check Valves

**FEATURES:**

- Touch-Clean® Nozzles
- MagnaTite® Docking
- H<sub>2</sub>Okinetic® Technology Handshower

**STANDARD SPECIFICATIONS:**

- Maximum 1.75 gpm @ 80 psi, 6.6 L/min @ 550 kPa
- Integrated handshower docks securely into showerhead when not in use.
- Multiple handshower spray settings
- 3-Way diverter allows for single or shared operation of the showerhead and handshower
- Fixed showerhead and handshower all in one
- Push-button activates pause mode
- Handshower lever changes spray modes
- 60-82" (1524-2083 mm) stretchable metal hose

**WARRANTY**

- Lifetime limited warranty on parts (other than electronic parts and batteries) and finishes; or, for commercial users, for 5 years from the date of purchase.
- 5 year limited warranty on electronic parts (other than batteries); or for commercial users, for 1 year from the date of purchase. No warranty is provided on batteries.



**COMPLIES WITH:**

- ASME A1 12.18.1 / CSA B125.1
- EPA WaterSense®

Delta reserves the right (1) to make changes in specifications and materials, and (2) to change or discontinue models, both without notice or obligation. Dimensions are for reference only. See current full-line price book or [www.deltafaucet.com](http://www.deltafaucet.com) for finish options and product availability.

**Delta Faucet Company**  
55 E. 111th Street, Indianapolis, IN 46280  
350 South Edgeware Road, St. Thomas, ON N5P 4L1  
© 2017 Delta Faucet Company