

Features

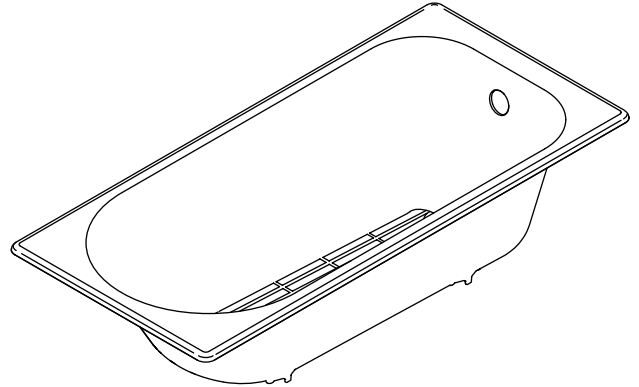
- Cast iron with Safeguard® finish
- 59" (1499 mm) x 27-1/2" (699 mm) x 16-3/4" (425 mm)

DROP-IN BATH
K-941
ALSO K-P941

Codes/Standards Applicable

Specified model meets or exceeds the following:

- ASME A112.19.1/CSA B45.2



Colors/Finishes

- 0: White
- Other: Refer to Price Book for additional colors/finishes

Accessories

- CP: Polished Chrome
- PB: Vibrant® Polished Brass
- NA: None applicable
- Other: Refer to Price Book for additional colors/finishes

Specified Model

Model	Description	Colors/Finishes	
K-941	Drop-in bath	<input type="checkbox"/> 0	<input type="checkbox"/> Other _____
K-P941	Drop-in bath – 10 pack	<input type="checkbox"/> 0	<input type="checkbox"/> Other _____

Required Accessories

K-7161-AF	Clearflo pop-up bath drain OR	<input type="checkbox"/> CP	<input type="checkbox"/> PB	<input type="checkbox"/> Other _____
K-7213	Clearflo cable bath drain with PVC tubing OR	<input type="checkbox"/> CP	<input type="checkbox"/> PB	<input type="checkbox"/> Other _____
K-7214	Clearflo cable bath drain, less PVC tubing	<input type="checkbox"/> CP	<input type="checkbox"/> PB	<input type="checkbox"/> Other _____

Optional Accessories

K-18416	Adjustable feet	<input type="checkbox"/> NA
---------	-----------------	-----------------------------

Product Specification

The drop-in bath shall be made of cast iron with Safeguard® finish. Bath shall be 59" (1499 mm) in length, 27-1/2" (699 mm) in width, and 16-3/4" (425 mm) in height. Bath shall be Kohler Model K-941-_____ or K-P941-_____.

SOISSONS™

Technical Information

Fixture*:	
Bathing Well:	
Basin area, top	51-7/16" (1307 mm) x 21-15/16" (557 mm)
Basin area, bottom	43-7/8" (1114 mm) x 17-5/16" (440 mm)
Weight	232 lbs (111.4 kg)
To Overflow:	
Water depth	11-5/16" (287 mm)
Capacity	33.4 gal (126.4 L)
* Approximate measurements for comparison only.	
Drop-in cut-out	57-1/2" (1461 mm) x 26" (660 mm)

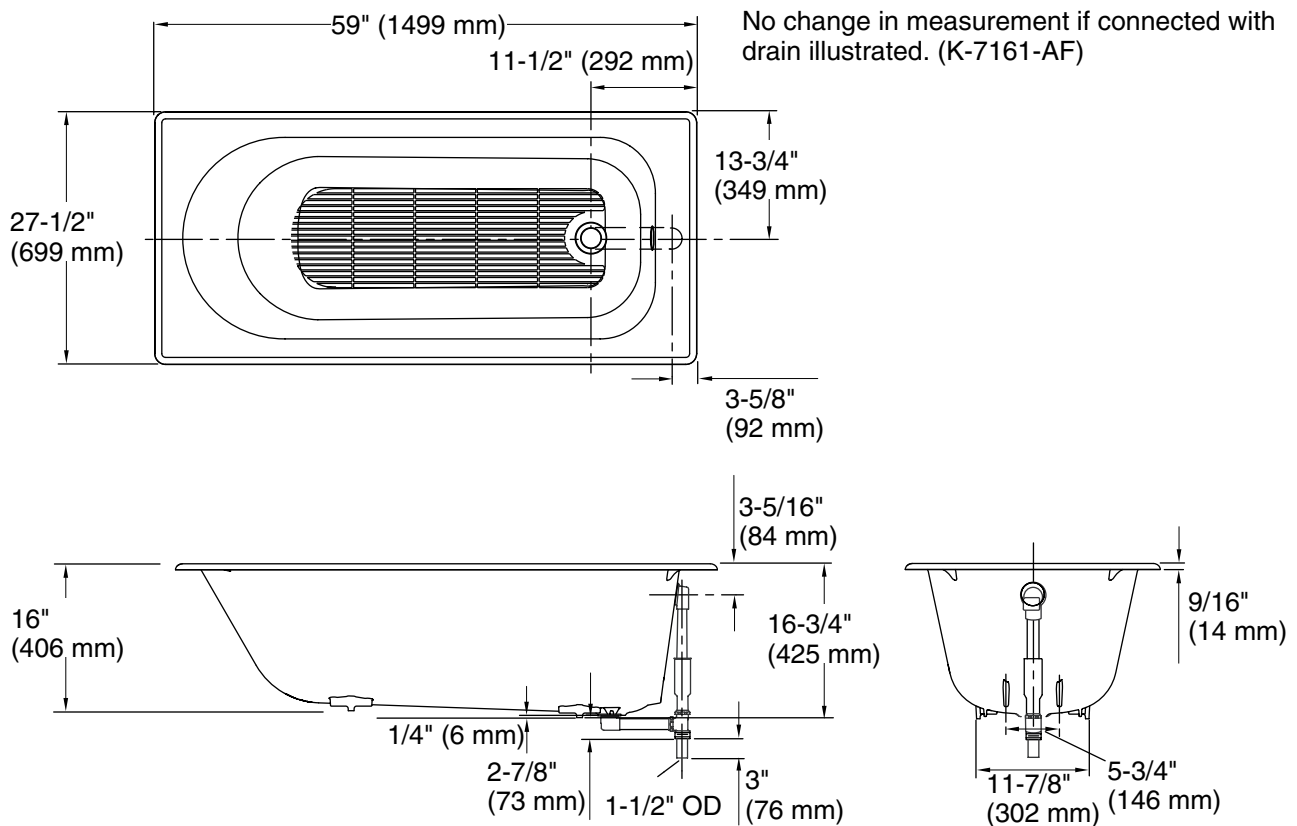
Installation Notes

Install this product according to the installation guide.

Floor support under the bath must provide for a minimum of 50 lbs/square foot (242 kg/square meter) loading.

Hot water supply should be 70% of capacity or greater. Installations will vary.

This bath is designed for drop-in installation only. It is not suited for use in a three-wall alcove with an overhead shower.



Product Diagram