



GRACELINE SINGLE FUNCTION HANDSHOWER SET

Michael Berman Graceline™

MB2046

FEATURES

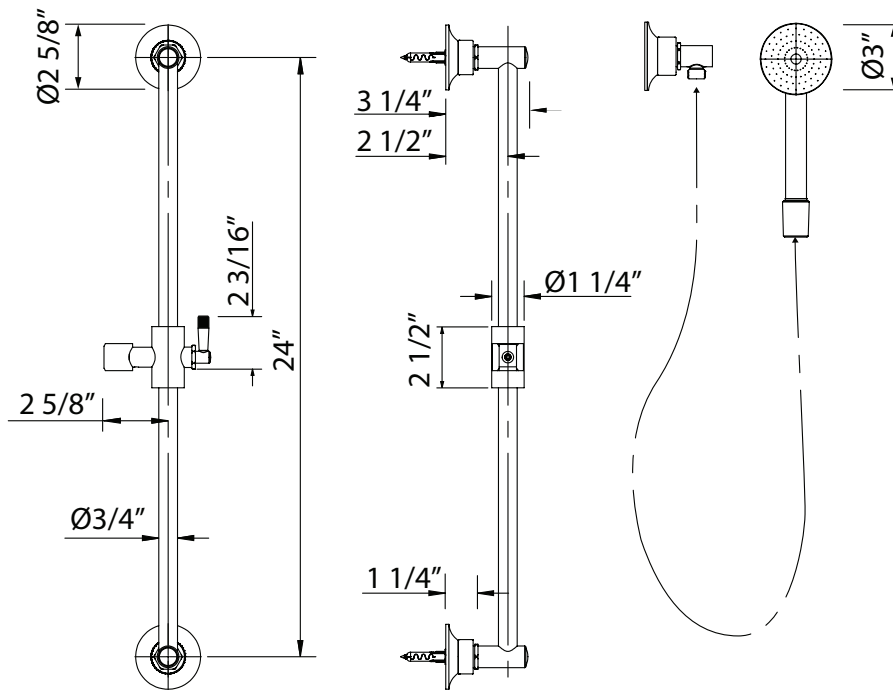
- Complete with the following items:
 - Shower bar
 - Handshower
 - Flexible metal hose
 - Wall outlet
- Solid brass construction

COLORS/FINISHES

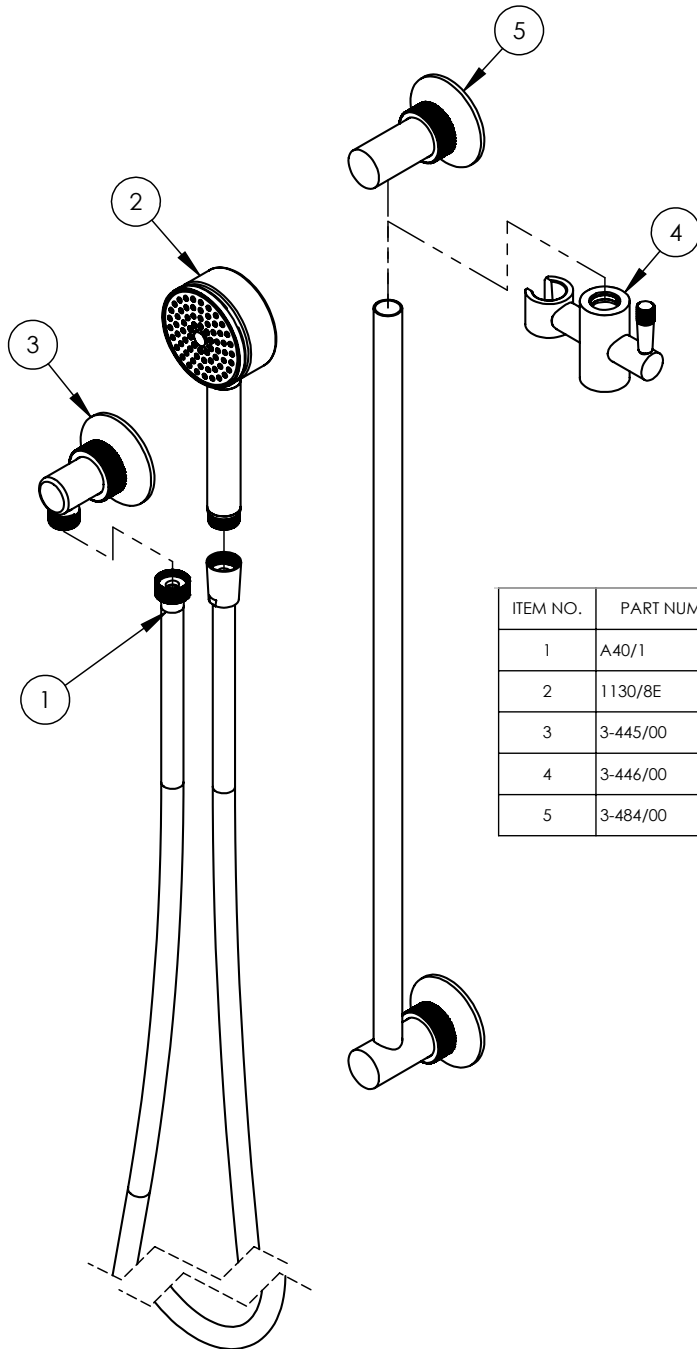
- Polished Chrome
- Polished Nickel
- Satin Nickel
- French Brass
- Satin Gold

WARRANTY

- 2 years warranty on manufacturer defects*
- * 5 years warranty on Satin Gold Finish
- * No warranty on French Brass Finish

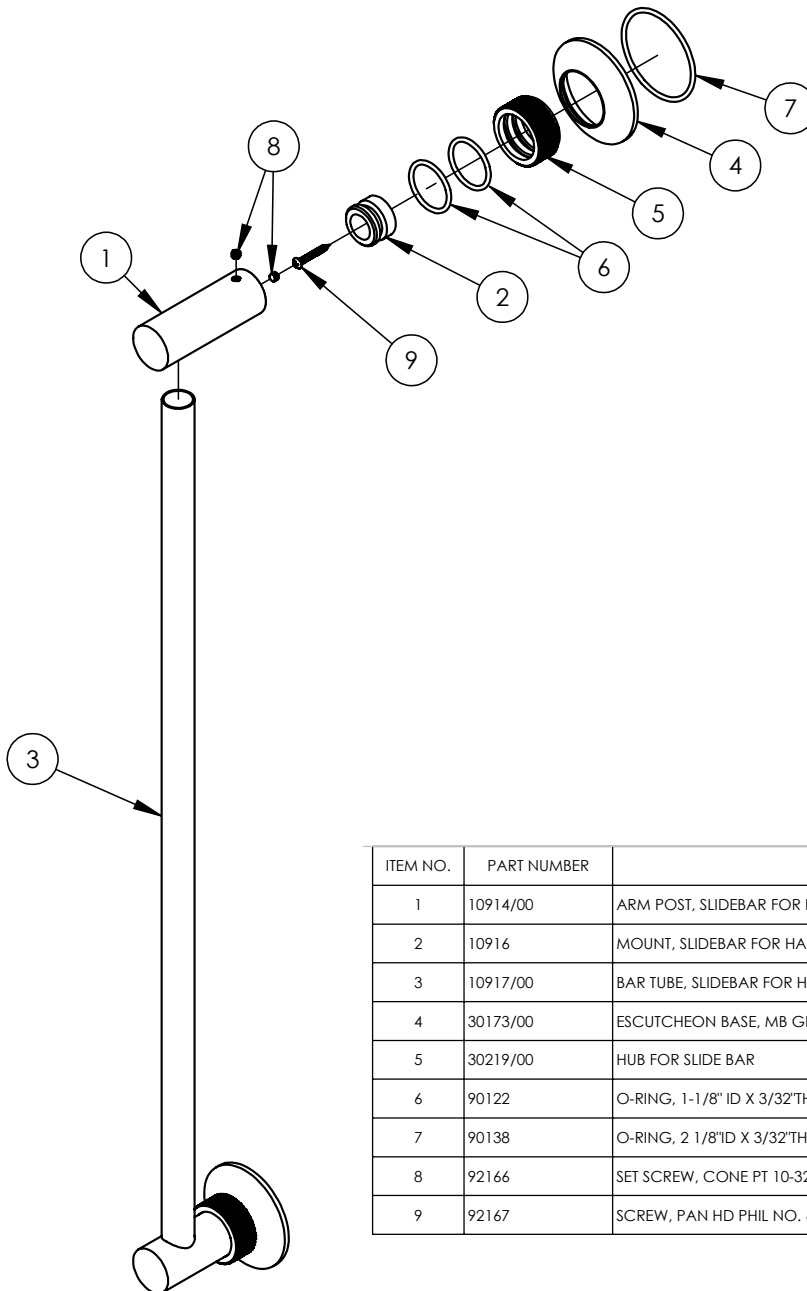


INSTALLATION INSTRUCTIONS



ITEM NO.	PART NUMBER	DESCRIPTION	QTY.
1	A40/1	ASSY. HOSE KIT, HANDSHOWER	1
2	1130/8E	HANDSHOWER, SINGLE FUNCTION	1
3	3-445/00	HAND SHOWER SUPPLY, MB	1
4	3-446/00	HAND SHOWER HOLDER, SLIDE BAR	1
5	3-484/00	SUB ASSY. SLIDE BAR FOR HAND SHOWER	1

INSTALLATION INSTRUCTIONS



ITEM NO.	PART NUMBER	DESCRIPTION	QTY.
1	10914/00	ARM POST, SLIDEBAR FOR HANDSHOWER	2
2	10916	MOUNT, SLIDEBAR FOR HANDSHOWER	2
3	10917/00	BAR TUBE, SLIDEBAR FOR HANDSHOWER	1
4	30173/00	ESCUTCHEON BASE, MB GRACELINE	2
5	30219/00	HUB FOR SLIDE BAR	2
6	90122	O-RING, 1-1/8" ID X 3/32"THK., AS-568-122	4
7	90138	O-RING, 2 1/8"ID X 3/32"THK., AS-568-138	2
8	92166	SET SCREW, CONE PT 10-32 X 3/16"L	4
9	92167	SCREW, PAN HD PHIL NO. 6 X 1" L	2