

Features

- With hanger.
- Without overflow.
- Drilled for concealed arm carrier.
- 4 " (102 mm) centers.
- 21-15/16" (557 mm) x 19-3/4" (502 mm).
- Antimicrobial finish inhibits the growth of mold-, mildew-, stain-, and odor-causing bacteria on the fixture surface. This product does not protect users against bacteria, viruses, or other disease organisms. Always clean and wash this product thoroughly before and after each use.



Material

- Vitreous china.

Installation

- Wall-mount.

Recommended Products/Accessories

- K-23726 Drain treatment
- K-23725 Cast iron cleaner

Optional Products/Accessories

- K-8998 P-Trap
- K-1998 Shroud

Included Components

- Additional Components:
Hanger(s) (Qty 2)

ADA

CSA B651

OBC

Codes/Standards

ASME A112.19.2/CSA B45.1
ADA
ICC/ANSI A117.1
CSA B651
OBC


KOHLER® One-Year Limited Warranty

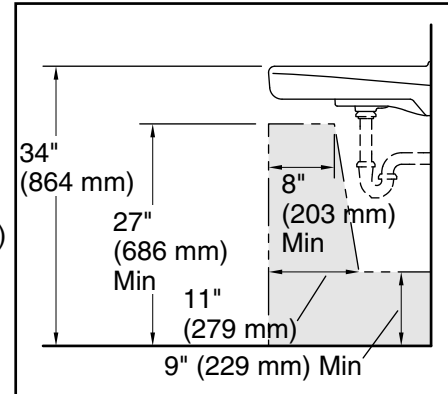
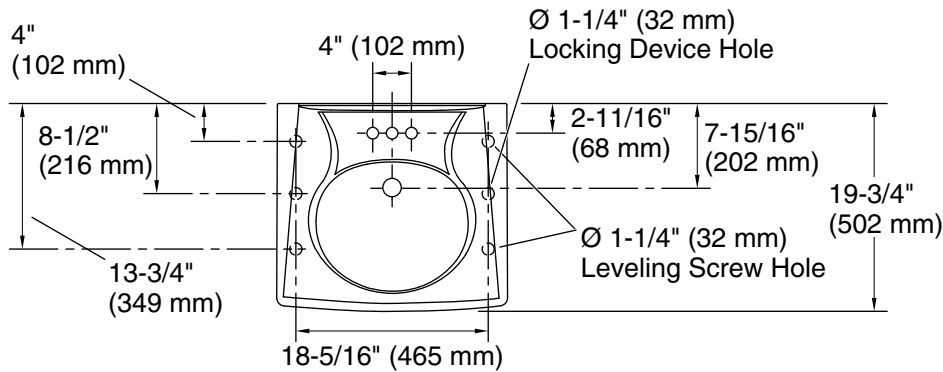
See website for detailed warranty information.

Available Colors/Finishes

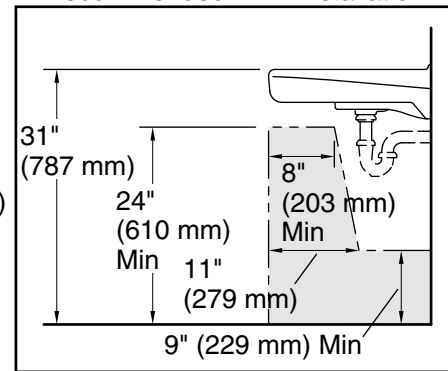
Color tiles intended for reference only.

Color	Code	Description
-------	------	-------------

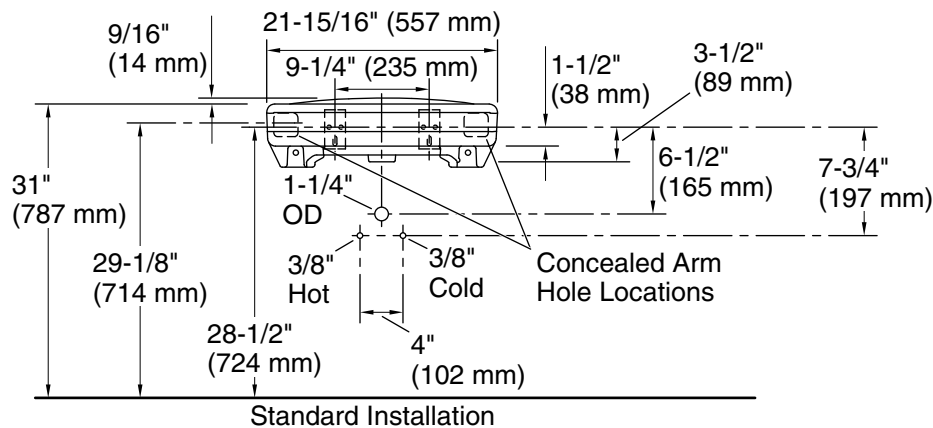
	0	White
---	---	-------



Recommended ADA Installation



Children's Environment 6-12 Yrs
Recommended ADA Installation



Standard Installation

Technical Information

All product dimensions are nominal.

Bowl configuration:	Single
Installation:	Wall-mount
Bowl area (Only):	Length: 14-3/8" (365 mm) Width: 12-5/16" (313 mm) With overflow: Yes Water depth: 3-1/4" (83 mm)
With overflow:	Yes
Number of deck holes:	3
Faucet hole spacing:	4" (102 mm)
Faucet hole(s):	1-1/4" (32 mm)
Drain hole:	1-3/4" (44 mm)

Notes

Install this product according to the installation instructions.

ADA, OBC, CSA B651 compliant when installed to the specific requirements of these regulations.