

STEAM TRAPS

TD600

Thermodynamic Steam Trap

Watson McDaniel reserves the right to change the designs and/or materials of its products without notice.
©2010 Watson McDaniel Company

Model	TD600, TD600L
Sizes	3/8", 1/2", 3/4", 1"
Connections	NPT
Body Material	Stainless Steel 420F
Options	Insulation Cap
PMO Max. Operating Pressure	600 PSIG
TMO Max. Operating Temperature	800°F
PMA Max. Allowable Pressure	600 PSIG up to 800°F
TMA Max. Allowable Temperature	800°F @ 600 PSIG



TYPICAL APPLICATIONS

DRIP, TRACER: The **TD600** thermodynamic steam trap is commonly used as a drip trap on steam mains and steam supply lines. These traps can be used on tracing applications; however, thermostatic traps are normally recommended for this service. Ideal for outdoor applications that are subject to freezing and for superheated steam conditions.

HOW IT WORKS

The thermodynamic trap has cyclic on-off operation with a disc that is pushed open by incoming condensate and closes tightly when steam tries to escape.

FEATURES

- High pressure applications up to 600 PSIG
- Hardened stainless steel seat and disc for extended service life even at high pressure
- Single trap will operate over the entire pressure range of 3.5-600 PSIG (Not recommended for use below 10 PSI)
- Suitable for superheated steam
- Freezeproof when trap is piped in a vertical orientation for complete drainage of condensate
- Three-hole balanced discharge extends life of the seat area
- Trap will function in any orientation (horizontal preferred)

SAMPLE SPECIFICATION

The steam trap shall be a thermodynamic disc type with all stainless steel construction. Integral seat design and disc to be hardened for long service life. Unit shall be capable of installation in any orientation and self-draining when mounted vertically.

INSTALLATION

Trap can be installed in any position; however, horizontal is preferred. Installation should include isolation valves and a 20 mesh strainer. Do not weld as damage can occur to the seat area.

MAINTENANCE

Dirt is the most common cause of premature failure. For full maintenance details, see Installation and Maintenance Manual.

OPTIONS

An insulation cap is available to reduce cycle rates and steam loss in rain, snow, or cold environments.

TD600L

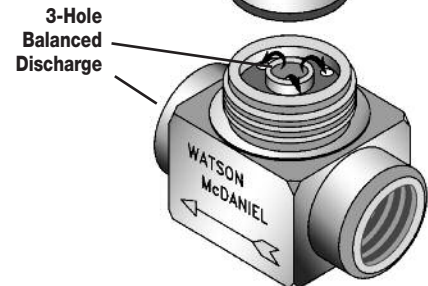
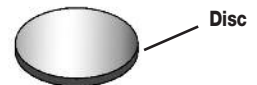
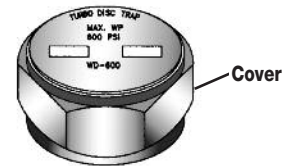
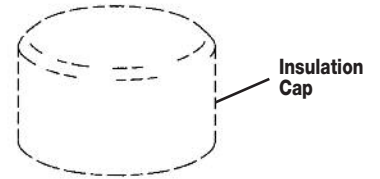
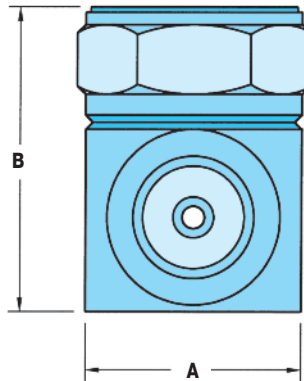
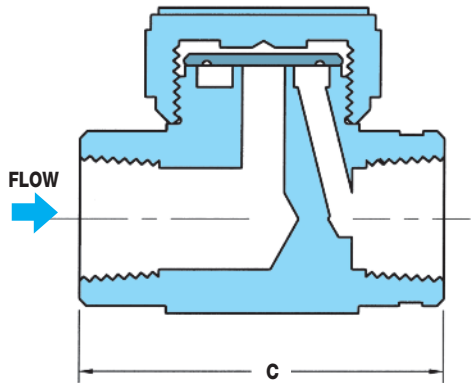
TD600L is a low capacity version of the standard TD600 model.

1/2" TD600L-12-N has the same capacity as the **3/8" TD600-11-N**.

3/4" TD600L-13-N has the same capacity as the **1/2" TD600-12-N**.

TD600

Thermodynamic Steam Trap



DIMENSIONS & WEIGHTS – inches/pounds						
Size	Model #	Connection	A	B	C	Weight (lbs)
3/8"	TD600-11-N	NPT	1.375	1.6875	2	0.75
1/2"	TD600-12-N	NPT	1.5	2	2.6875	1.25
3/4"	TD600-13-N	NPT	1.75	2.375	2.8125	2.0
1"	TD600-14-N	NPT	2.125	2.8125	3.8175	3.0
1/2"	TD600L-12-N	NPT	1.5	1.8125	2.718	1.0
3/4"	TD600L-13-N	NPT	1.5	2.25	2.75	1.75

HOW TO SIZE/ORDER

Select working pressure; follow column down to correct capacity (lbs/hr) block. Example:

Application: 650 lbs/hr at 30 PSIG working inlet pressure

Size/Model: 3/4" **TD600-13-N**

MATERIALS

Body	Stainless Steel, AISI 420F
Disc	Stainless Steel, AISI 420
Cover	Stainless Steel, AISI 416
Insulation Cap	Stainless Steel, AISI 304

CAPACITIES – Condensate (lbs/hr)

Size	Model	Steam Inlet Pressure (PSIG)																				
		3.5	5	10	15	20	25	30	40	50	75	100	150	200	250	300	350	400	450	500	550	600
3/8"	TD600-11-N	180	185	190	195	200	215	220	230	250	310	375	500	620	710	800	825	900	1070	1120	1185	1290
1/2"	TD600-12-N																					
1/2"	TD600L-12-N	300	315	350	380	415	440	470	515	580	710	825	1020	1165	1300	1440	1565	1670	1775	1880	1960	2060
3/4"	TD600L-13-N																					
3/4"	TD600-13-N	415	430	475	520	565	610	650	720	825	1020	1185	1480	1710	1950	2110	2265	2490	2625	2780	2985	3140
1"	TD600-14-N	650	680	740	815	885	940	1000	1080	1225	1500	1800	2215	2625	2935	3300	3600	3875	4120	4350	4560	4840

Notes: 1) Maximum back pressure not to exceed 80% of inlet pressure (measured in absolute pressure) or trap may not close.
2) For optimum performance, recommended for operating pressure above 10 PSIG.