



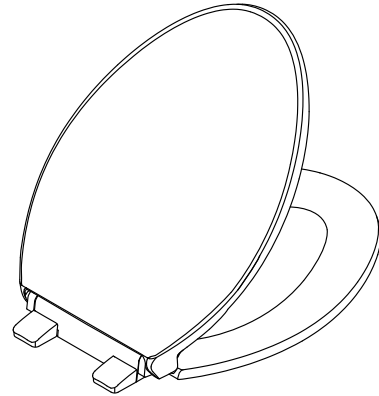
**Border™**  
ReadyLatch® Quiet-Close™ elongated toilet seat with  
antimicrobial agent  
**K-24495-A**

**Features**

- Grip-Tight installation hardware makes it easy to fasten the seat – everything is done from above the bowl.
- ReadyLatch® hinge provides a positive lock/unlock latch to securely hold seat in position, yet seat easily removes for cleaning or adjusting fit.
- Grip-Tight bumpers hold seat firmly in place.
- Quiet-Close™ elongated seat closes quietly.
- Elongated closed-front seat.
- Contoured seat for user comfort.
- Antimicrobial agent inhibits growth of odor-causing bacteria, mold, and mildew. This product does not protect users against bacteria, viruses, or other disease organisms. Always clean and wash this product thoroughly before and after each use.

**Material**

- Plastic construction.



**Codes/Standards**

None Applicable



**KOHLER® One-Year Limited  
Warranty**

See website for detailed warranty information.

**Available Colors/Finishes**

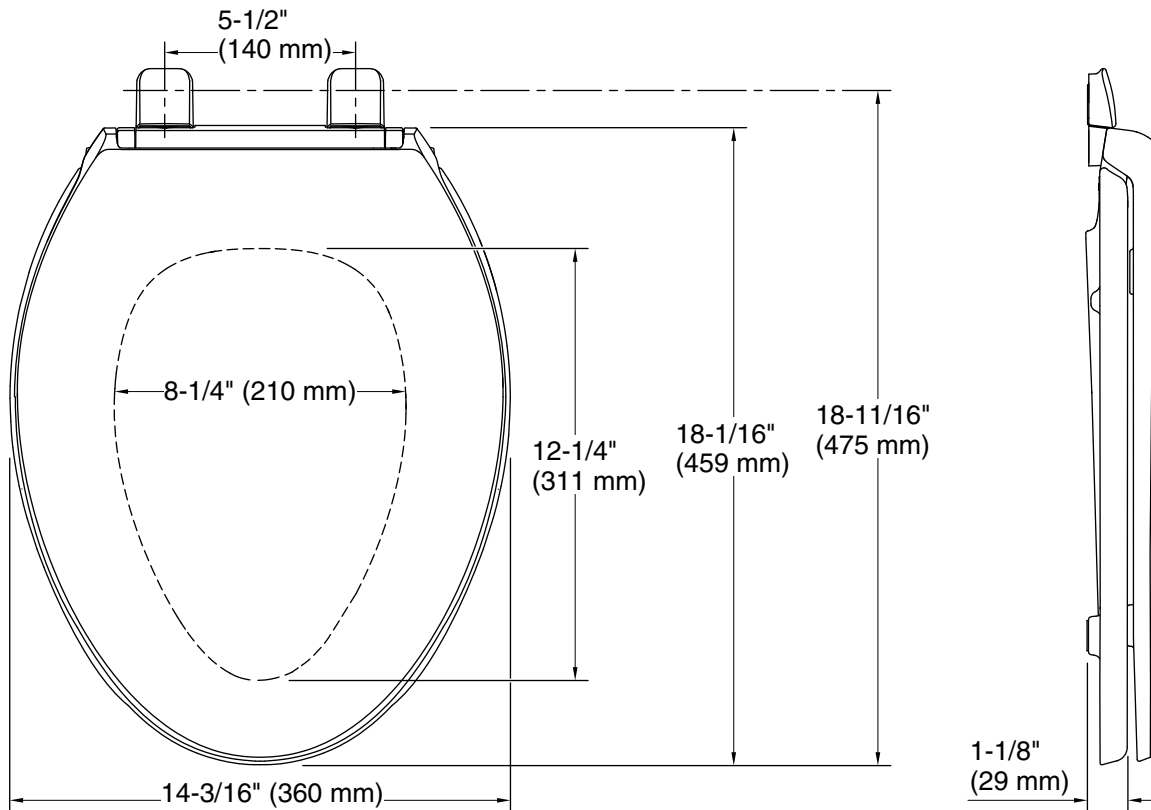
*Color tiles intended for reference only.*

**Color Code Description**

	0	White
	96	Biscuit



**Border™**  
ReadyLatch® Quiet-Close™ elongated toilet seat with  
antimicrobial agent  
**K-24495-A**



**Technical Information**

All product dimensions are nominal.

- Seat shape type: Elongated  
Seat front type: Closed-front  
Seat-mounting holes: 5-1/2" (140 mm)

**Notes**

Install this product according to the installation instructions.