



## SuperStor Ultra Storage Tanks

**JOB NAME:**

**LOCATION:**

**ARCH./ENGR.:**

**WHOLESALE:**

**MECH. CONTRACTOR:**

**MODEL NUMBER:**

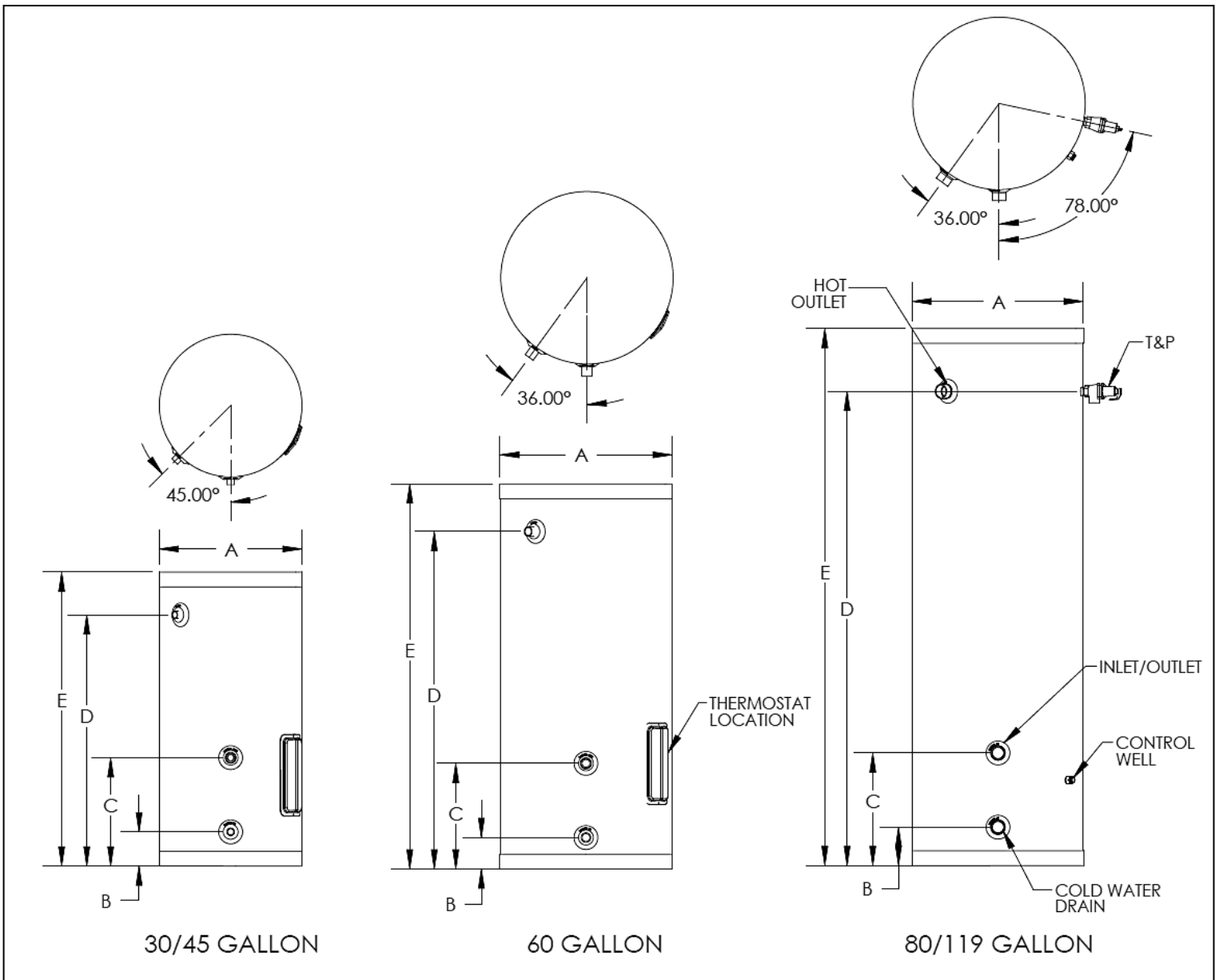
**NOTES:**

### Stainless Steel Tank

- Tank constructed of type 316L stainless steel for tolerance of high temperatures and superior corrosion resistance
- Insulated with environmentally safe, CFC free, water-blown, extra thick foam insulation
- Allows less than ½ degree Fahrenheit per hour heat loss
- Outer shell constructed of silver finished durable plastic for rust and impact resistance
- NPT stainless steel inlet and outlet domestic connections for all models – side tappings for auxiliary connection to heat source
- Temperature and pressure relief valve port (80 and 119 gallon models only)
- Surface mounted controls for 30, 45, and 60 gallon models – Stainless steel aquastat well for 80 and 119 gallon models - Provides accurate current temperature measurement
- Internal bent hot water outlet tube extracts 5 – 7% more hot water off the top of the tank dome

### Additional Features

- Limited warranty – 10 years for residential and commercial use
- ETL Listed
- NSF Listed Components
- Lead Free Compliant, as required by the Safe Drinking Water Act, Section 1417



MODEL	DIMENSIONS (in Inches)					TEST PRESSURE	WORKING PRESSURE	WEIGHT (LBS EST)	CONNECTION SIZES	T&P CONNECTION
	A	B	C	D	E					
SSU-30CB	19 ¼	4 ½	14 ½	33 ¾	39 ½	300 PSI	150 PSI	40	¾" NPT	* N/A
SSU-45CB				45 ¾	59 ½			64		
SSU-60CB	23 ¼	6	16	64 ¾	72			90	1" NPT	
SSU-80CB				66	73 ½			129	1 ½" NPT	
SSU-119CB	27	7 ¼	17 ¼	66	73 ½			178		

\*On these sizes, a tee is used in the hot outlet to connect a T&P valve

### SPECIFICATION

The SuperStor Ultra Storage Tank shall be manufactured by HTP with an identification of model number SSU-\_\_\_\_\_CB. These storage tanks shall be ETL Listed and constructed with NSF Listed components. The storage tank will have a capacity of \_\_\_\_\_ gallons.

The storage tank will be constructed of 316L stainless steel. The outer tank shell shall be constructed of high density polyethylene plastic with 2" of CFC free polyurethane foam insulation. The storage tank shall be factory assembled. Complete installation instructions shall be furnished with every storage tank as packaged by the manufacturer for shipping.

Maximum unit dimensions shall be width \_\_\_\_\_ inches and height \_\_\_\_\_ inches. Maximum unit weight shall be \_\_\_\_\_ pounds.