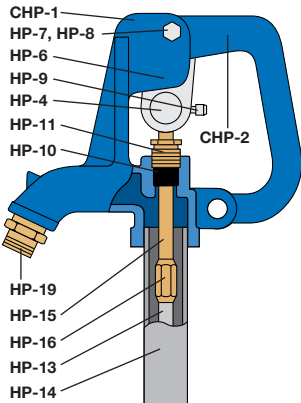




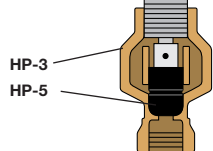
# Campbell

## Frostproof Yard Hydrants

### COMPACT YARD HYDRANT



### COMPACT YARD HYDRANT REPLACE-MENT PARTS



complete hydrant*	lead-free hydrant	bury depth	overall length	pcs pkg
CYH-1	CYH-1LF	1 ft.	45 in.	1
CYH-1.5	CYH-1.5LF	1.5 ft.	51 in.	1
CYH-2	CYH-2LF	2 ft.	57 in.	1
CYH-3	CYH-3LF	3 ft.	69 in.	1
CYH-4	CYH-4LF	4 ft.	81 in.	1
CYH-5	CYH-5LF	5 ft.	93 in.	1
CYH-6	CYH-6LF	6 ft.	105 in.	1
CYH-7	CYH-7LF	7 ft.	117 in.	1
CYH-8	CYH-8LF	8 ft.	129 in.	1

The same internals and high quality cast iron as the Heavy Duty Frostproof Yard Hydrant in a compact head design.

#### features:

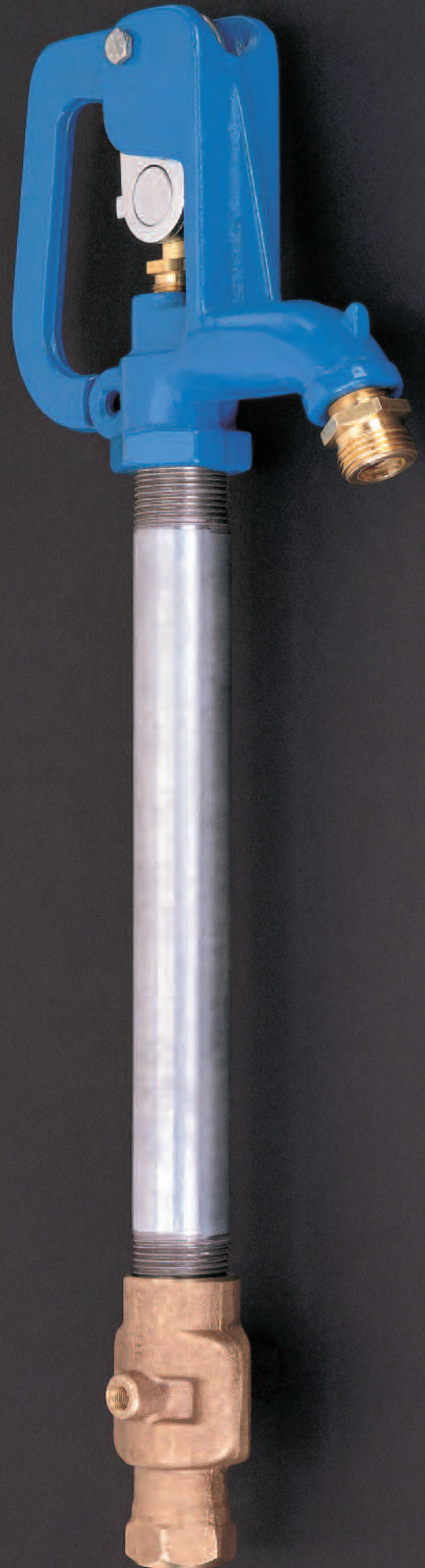
- rugged cast iron head & handle
- below-frostline shut-off valve allows free flow of water at sub-freezing temperatures
- self-draining bleeder valve with 3/4" inlet prevents riser pipe and hydrant head freezeup
- precision machining & assembly
- solid brass extension rod through packing nut
- hot-rolled 1040 steel link straps with Kevlar packing
- one-piece molded BUNA-N plunger
- oversize snap-lock handle for a comfortable grip
- 3/4" brass hose connection/spout
- solid bucket hook for no-hands fillup
- handle-to-head padlock locators
- easy-access, above-ground maintenance
- 7/16" steel rod in 1" galvanized riser pipe

part	description
CHP-1	head casting <sup>18</sup>
CHP-2	handle casting <sup>18</sup>
CHP-18	head assembly, complete (includes parts tagged with <sup>18</sup> )
HP-3	valve body (lead-free available)
HP-4	connector <sup>18</sup>
HP-5	plunger
HP-6	link (2) <sup>18</sup>
HP-7	fulcrum bolt <sup>18</sup>
HP-8	fulcrum nut <sup>18</sup>
HP-9	set screw, square head <sup>18</sup>
HP-10	packing <sup>18</sup>
HP-11	packing nut <sup>18</sup>
HP-13**	7/16" steel rod assembly (includes rod, HP5, HP15, and HP16)
HP-14**	1" galvanized pipe
HP-15	brass extension rod
HP-16	rod coupling
HP-19	brass hose adapter <sup>18</sup>
HPK-1	parts kit (includes HP-4 thru HP-11)

\* Not for use with potable water.

\*\* When ordering, please specify hydrant bury depth (ex: galvanized pipe for CYH-3 hydrant is HP-14-3).

See page A5 for Hydrant Elbows and Tees



Campbell Manufacturing, LLC  
127 East Spring Street, P.O. Box 207  
Bechtelsville, PA 19505-9153  
800-523-0224, Fax 610-369-3580

