

10" Rough-in

Features:

□ VP-21-517

- Vitreous china
- Combination bowl and tank
- 3" flush valve with Fluidmaster® fill valve for quiet fill
- 10" rough-in
- Elongated bowl
- Dual-fed siphon jet action bowl (no splashing)
- 2" Fully Glazed trapway for effective waste removal
- Color matched metal tank lever
- 6 point tank to bowl connection for tank stability
- Sanitary bead for easy cleaning
- Color matched Bolt caps included
- Toilet seat not included



Technical Information:

Included Components:

- Combination VP-21-517
- Bowl VP-21-528
- Tank VP-28-595

Other Tank Options: (bowl to be purchased separately)

- Tank with Right Hand Lever VP-28-595-97

Fixtures:

| | |
|---------------------|--------------------------|
| Configuration | two-piece, ADA elongated |
| Water per Flush | 1.6 gpf (6 lpf) |
| Rough-In | 10" |
| Height | 30 1/4" |
| Width | 18 1/4" |
| Depth | 27 1/2" |
| Trapway | 2" |
| Large Water Surface | 9 7/8" x 6 1/8" |
| Shipping Weight | 72 lbs |

Accessories:

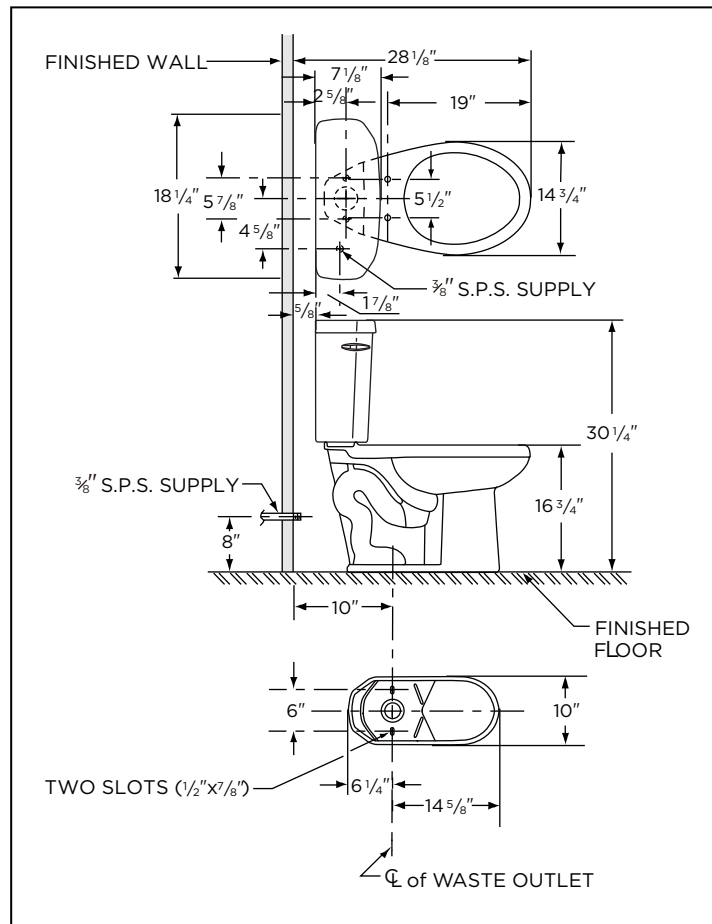
| | |
|------------------------|--------|
| Soft Close Toilet Seat | 99-213 |
|------------------------|--------|

Colors/Finishes:

- White
- Other: Refer to Price Book for additional colors/finishes

Warranty:

- 5 year, Limited lifetime warranty



NOTES: All dimensions are in inches. Illustrations may not be drawn to scale.

IMPORTANT:

Dimensions of fixtures are nominal and may vary within the range of tolerances established by ASME standard A 112.19.2 THIS FIXTURE QUALIFIES ACCORDING TO ASME TEST PROCEDURES AS A HIGH EFFICIENCY WATER CLOSET WITH AN AVERAGE CONSUMPTION OF 1.6 gpf (6.0 Lpf) OR LESS.