

# **Universal Pressure Balancing Valve Body**

# **Product Spec Sheet**



## **FEATURES & BENEFITS**

- Washerless Cartridge
- Pex Connection
- Less Stops

P4SR-799P  
Chrome Finish

### **APPROVALS:**

**Meets or Exceeds The Following:**

- \* ANSI/ASME A112.18.1
- \* IAPMO/cUPC
- \* ASSE 1016-2005



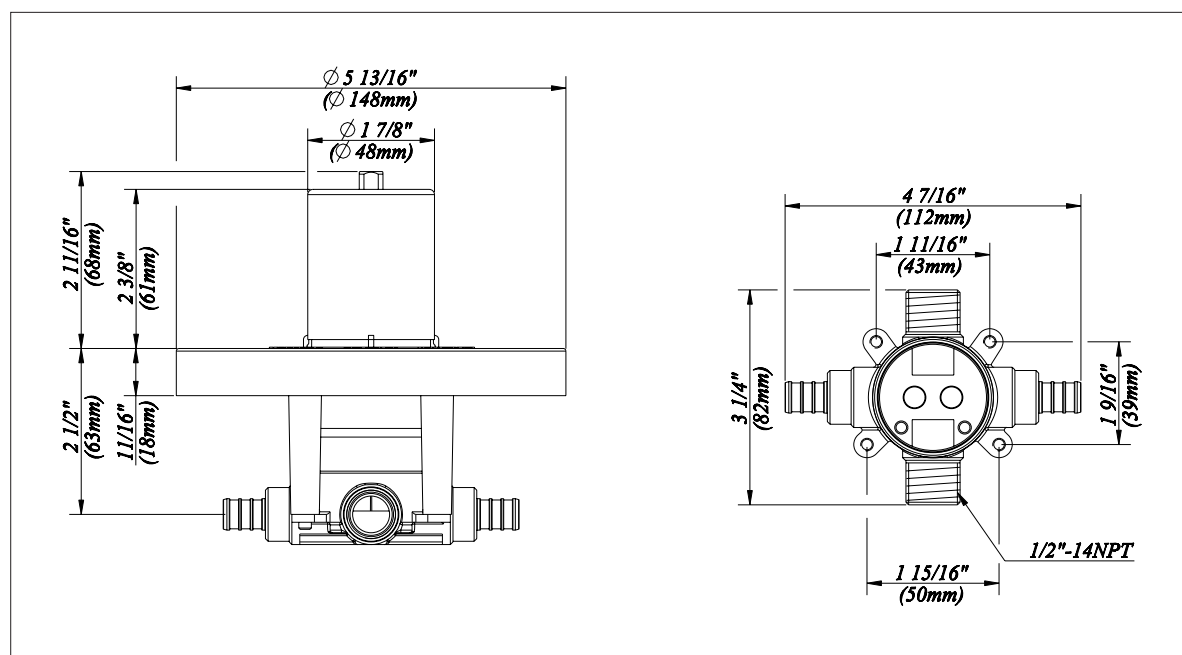
**TEL:** 855-806-0688

**FAX:** 845-350-4043

Visit Our Web Site : [www.plumb4orce.com](http://www.plumb4orce.com)

# Universal Pressure Balancing Valve Body

No.	Name	Part No.
1	Screw Set	A608519
2	Plaster Guard	A127007
3	Sleeve	A103322
4	Retainer Nut	A103310
5	Washerless Cartridge Assembly	A507975
6	Plug	A028452



**Product Spec Sheet**