

SUBMITTAL SHEET

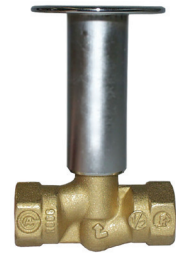
JOB NAME	ITEM TAG
JOB LOCATION	PART NUMBER
CONTRACTOR	DATE
ENGINEER APPROVAL	DATE

LOG LIGHTER VALVE

Model T-3200/T-3201

- 1/2 Lb. PSI (AGA/CGA certified)
- Factory tested at 100 PSI
- B.T.U. Capacity:
(1 In. WG pressure) (.3 In. WG pressure)
T-3200: 118,000 btu/hr 65,000 btu/hr
T-3201: 182,000 btu/hr 100,000 btu/hr
- Can be used for natural & LP gas only

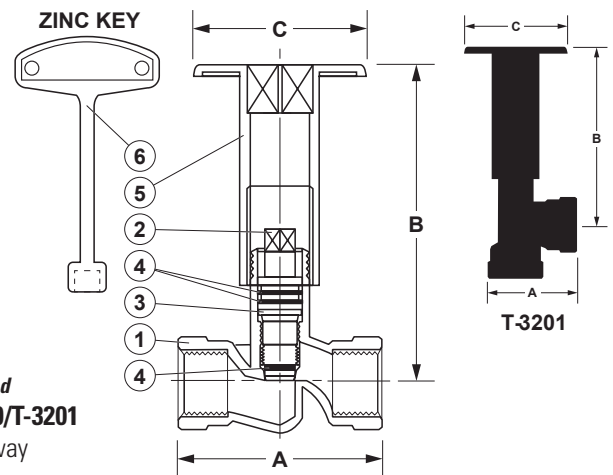
Working Pressure, Non Shock (PSI)
Cold working pressure (CWP):
Saturated steam (WSP):



Pictured
T-3200



Pictured
T-3201



Pictured
T-3200/T-3201
Cut-away

MATERIAL SPECIFICATION		
PART	MATERIAL	SPECIFICATION
1	Body	Forged brass
2	Stem	Forged brass
3	Washer	Synthetic fiber
4	O-ring	Viton
5	Escutcheon	Forged brass or chrome
6	Key	Zinc

DIMENSIONS			
Size	A	B	C
T-3200	2.60	4.00	2.17
T-3201	1.51	3.77	2.17