

### Features

- With overflow.
- Drilled for concealed arm carrier.
- With hanger.
- Single-hole faucet drilling.
- Soap dispenser hole on right.
- 20-3/4" (527 mm) x 18-1/4" (464 mm).

### Material

- Vitreous china.

### Installation

- Wall-mount

### Recommended Accessories

K-8998 P-Trap

### Optional Accessories

K-1808-P Bathroom Sink Brackets

### Components

Additional included component/s: Hanger (2 Required).



ADA

### Codes/Standards

ASME A112.19.2/CSA B45.1

ADA

ICC/ANSI A117.1

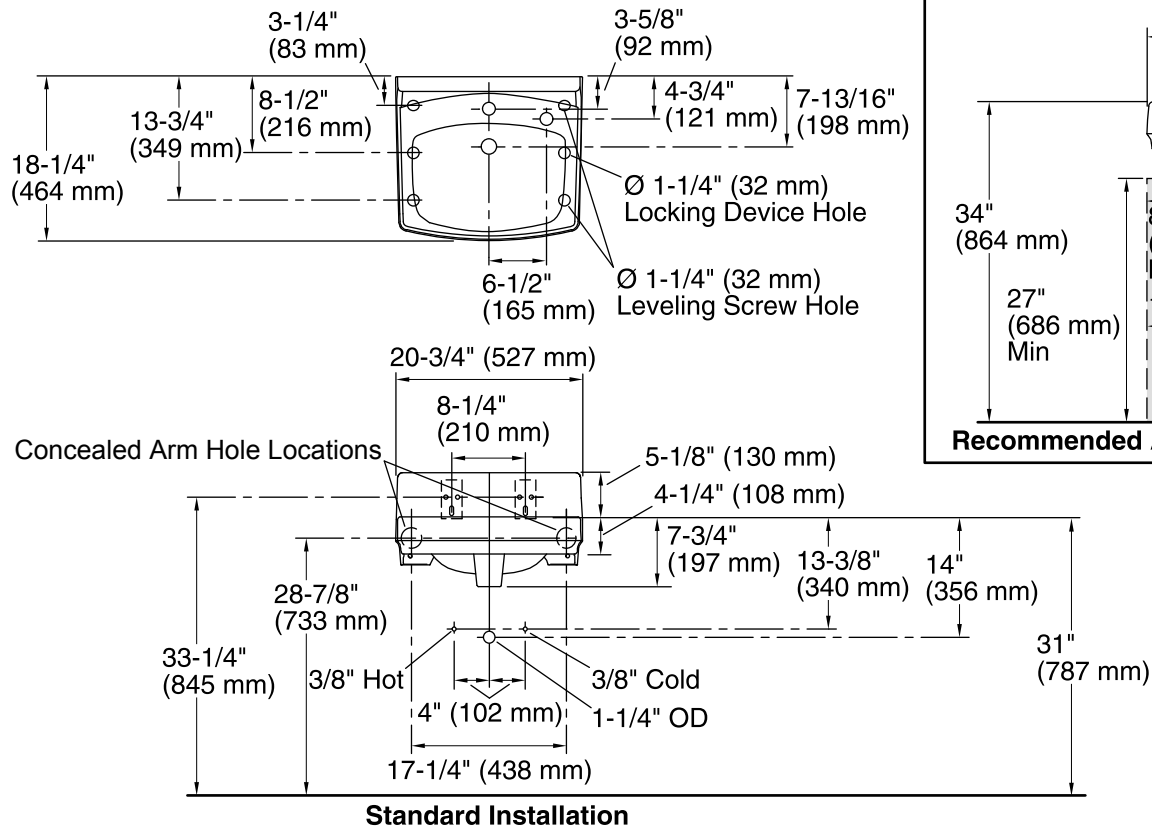
See website for detailed warranty information.

### Available Color/Finishes

*Color tiles intended for reference only.*

Color	Code	Description
-------	------	-------------

	0	White
--	---	-------



### Technical Information

All product dimensions are nominal.

Bowl configuration:	Single
Installation:	Wall-mount
Bowl area (Only)	Length: 10" (254 mm) Width: 15" (381 mm) Water depth: 3-1/4" (83 mm)
Number of deck holes:	2
Faucet hole(s):	1-3/8" (35 mm)
Soap/Lotion hole:	1-1/4" (32 mm)
Drain hole:	1-3/4" (44 mm)

### Notes

Install this product according to the installation guide.

ADA compliant when installed to the specific requirements of these regulations.