



## SUBMITTAL DATA SHEET

### AHU Heat Pump System


Location: \_\_\_\_\_  
 Engineer: \_\_\_\_\_  
 Submitted to: \_\_\_\_\_  
 Submitted by: \_\_\_\_\_  
 Reference: \_\_\_\_\_

Approval: \_\_\_\_\_  
 Date: \_\_\_\_\_  
 Construction: \_\_\_\_\_  
 Unit #: \_\_\_\_\_  
 Drawing #: \_\_\_\_\_


**Set Model**  
 Indoor unit model CCOXHAAH24V36  
 Outdoor unit model CCOXHA24V36P


**Certified**

AHRI



UL







### SYSTEM PERFORMANCE DATA

<b>Power supply</b>		
Normal Operational Voltage	(V, Ph, Hz)	208/230V, 1Ph, 60Hz
Voltage Range	(V)	187-253
<b>Electrical</b>		
Minimum circuit ampacity(Outdoor)	(A)	41.0
Max.fuse(Outdoor)	(A)	50.0
Connection wiring		14AWG*2 Stranded, shielded
<b>Cooling</b>		
Capacity	(Btu/h)	36000(13000~47400)
Power Input	(W)	3673(462~5700)
Current	(A)	15.97(3.53~25)
SEER2	(Btu/W)	16.0
EER2	(Btu/W)	10.0
<b>Heating</b>		
Capacity	(Btu/h)	40000(11000~57200)
Power Input	(W)	3448(593~5700)
Current	(A)	15(4.34~25)
HSPF2-4	(Btu/W)	9.5
HSPF2-5	(Btu/W)	7.8
COP	W/W	3.36
Heat at 17F(H32)	(Btu/h)	30500
Heat at 5F(H42)	(Btu/h)	34400
COP at 5F(H42)	W/W	1.97

### REFRIGERANT PIPE DATA

Throttle type	Indoor unit	EEV for cooling
	Outdoor unit	EEV for heating
Design pressure	(PSIG)	550/340
Refrigerant Type		R410A
Refrigerant charge	oz	165.79
Refrigerant precharge	(ft)	25.0
Additional charge for each ft	(oz/ft)	0.69
Liquid side/ Gas side(indoor)	(inch)	3/8" / 3/4"
Liquid side/ Gas side(outdoor)	(inch)	3/8" / 3/4"
Max. pipe length	(ft)	213.3
Max. difference in level	(ft)	98.4
Connection method		Flared
Indoor(cooling)	(Deg. °F)	60~90
Indoor(heating)	(Deg. °F)	32~86
Outdoor(cooling)	(Deg. °F)	5~122
Outdoor(heating)	(Deg. °F)	-22~75

### INDOOR UNIT DATA

<b>Indoor fan motor</b>		
Model		ZKFD-375-8-1-1
Qty		1
Input	(W)	/
Output	(W)	/
RLA	(A)	4.0
Speed(Hi/Mi/Lo)	(r/min)	/
<b>Air flow &amp; Noise level</b>		
Indoor air flow (Hi/Med/Lo) (No duct)	(CFM)	1188.24/1082.35/970.59/864.71
Indoor noise level (Hi/Med/Lo)	[dB(A)]	45/43/41
<b>Dehumidification</b>	(L/H)	3.49
<b>Indoor unit</b>		
Dimension (WxDxH)	(inch)	21.02x21.02x49.02
Packing(WxDxH)	(inch)	26.57x24.41x52.56
Net/Gross weight	(lbs.)	129.19/155.64

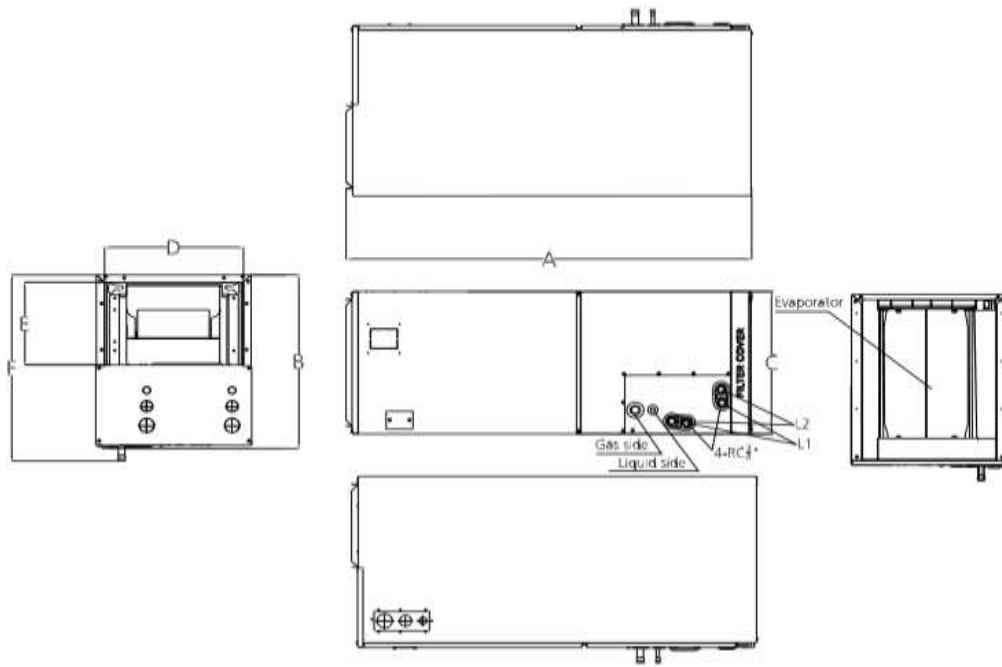
### OUTDOOR UNIT DATA

<b>Compressor</b>		
Type		ROTARY
Model		EAPQ420D1UMUA
Brand		GMCC
Capacity	(Btu/h)	44015
Input	(W)	3565 ±3%
Rated current (RLA)	(A)	32
Refrigerant oil/oil charge	(ml)	1460±15ml ESTER OIL VG74
<b>Outdoor fan motor</b>		
Model		ZKFN-85-8-22-5
Qty		2
Input	(W)	126.0
Output	(W)	85
RLA	(A)	1.2
Speed	(r/min)	850/750/650
<b>Air flow &amp; Noise level</b>		
Outdoor air flow (Max.)	(CFM)	4500
Outdoor noise level	[dB(A)]	64.0
<b>Outdoor unit</b>		
Dimension (WxDxH)	(inch)	37.48x16.34x52.48
Packing (WxDxH)	(inch)	43.11x19.49x58.27
Net/ Gross weight	(lbs.)	227.07/255.73

### Accessories

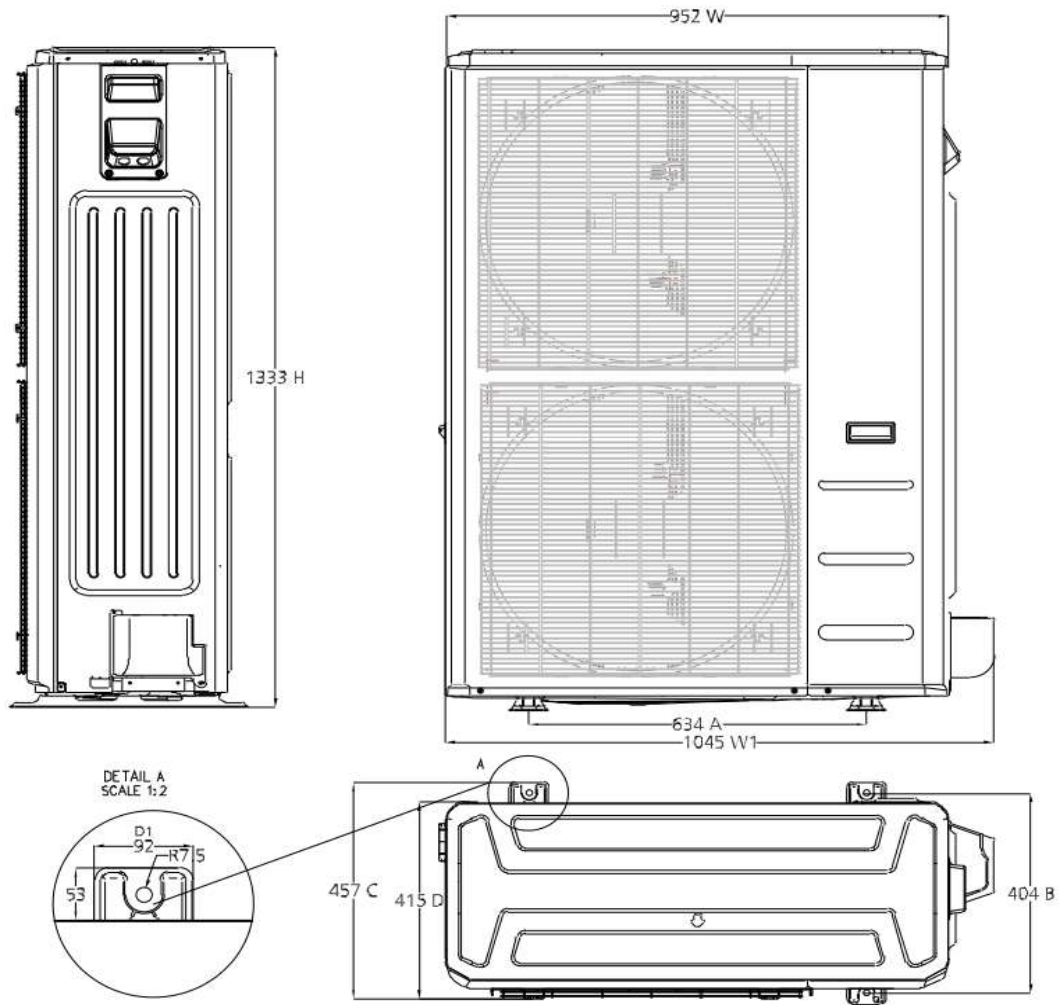
Adaptor for welding(3/4")	Qty	1 Indoor & 1 Outdoor
Adaptor for welding(3/8")	Qty	2 Indoor & 1 Outdoor
Adaptor (5/8" to 3/4")	Qty	1 Indoor

Indoor unit dimension



Model	Unit	Dimensions(mm)						Drain hole	
		A	B	C	D	E	F	L1	L2
18k-24k	mm	1143	534	445	400	260	585	Main drain	Overflow drain
	inch	45	21	17-1/2	15-3/4	10-1/4	23		
30k-48k	mm	1245	534	534	490	260	585		
	inch	49	21	21	19-5/16	10-1/4	23		
60k	mm	1346	534	622	580	260	585		
	inch	53	21	24-1/2	22-7/8	10-1/4	23		

Outdoor unit dimension



Fan performance

