

APPLICATIONS

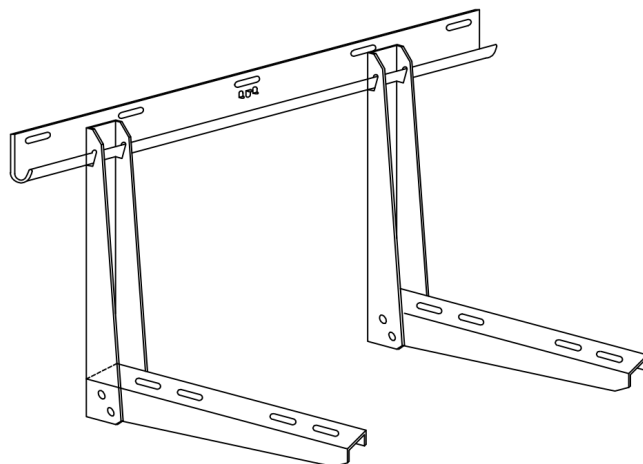
The wall bracket is used for supporting mini split air conditioners. The brackets feature a cross bar that is attached to a wall, and two L-shaped brackets that are hooked and bolted into the cross bar. The air conditioner or heat pump condensing unit is mounted onto the L-shaped brackets and fastened using the bolts and anti-vibration washers provided.

FEATURES

- Material: Cold rolled steel
- Usage: For loading split type air conditioner of outdoor unit
- Structure: Split bracket and screws link
- Surface treatment: Powder coating
- Color: White

DIMENSIONS

Product No.	Bottom Bar	Vertical Bar	Cross Bar	Thickness	Loading
4PRO22MSWB	22"	17.7"	31.5"	0.08"	300lb
4PRO25MSWB	25"	17.7"	31.5"	0.08"	500lb



Job Name	
Date	
Model Specified	
Quantity	
Customer	
Contractor	
Architect/engineer	