



# COMMERCIAL-GRADE

## RESIDENTIAL GAS WATER HEATERS

### PROLINE® XE POWER DIRECT VENT

The ProLine® XE Power Direct Vent water heaters have been engineered to maximize efficiency and deliver a greater Uniform Energy Factor (UEF).

#### POWER DIRECT VENT DESIGN

- Combined horizontal and vertical vent runs up to 180 equivalent feet with 4" diameter venting (ABS, PVC, CPVC and polypropylene)
- Two-pipe sealed combustion system uses outside air, eliminating problems caused by insufficient indoor ventilation
- Reduced NOx emissions comply with air quality management district regulations

#### ENERGY STAR® QUALIFIED

- All models (except GS6 75 YRPDTL) meet the ENERGY STAR® requirement and may also qualify for local utility and rebate programs
- Built-in heat traps on the water inlet and outlet reduce the amount of heat lost through piping
- "Environmentally-Friendly" foam insulation reduces the amount of heat loss and contributes to overall energy efficiency

#### SELF-CLEANING DIP TUBE

- Helps reduce lime and sediment buildup and maximizes hot water output. Made from long-lasting PEX cross-linked polymer.

#### HOT-SURFACE IGNITOR

- More robust and reliable than standing pilot, and reduces energy consumption.

#### BLUE DIAMOND® GLASS COATING

- Provides superior corrosion resistance compared to the industry-standard glasslining.

#### USER-FRIENDLY

- State-of-the-art electronic gas control provides more precise temperature control
- LED control light displays operation status and diagnostics information
- Built-in heat traps on the water inlet and outlet reduce the amount of heat lost through piping

#### ENHANCED-FLOW BRASS DRAIN VALVE

- Our residential water heaters have a solid brass, tamper resistant, enhanced-flow, ball type, drain valve.
- Uses a standard female hose fitting that allows for fast and easy draining during maintenance.
- Designed for easy operation, this valve includes an integral screwdriver slot that features a ¼ turn (open/close) radius, which not only permits full straight-through water flow but also a quick and positive shut off.

#### CSA CERTIFIED AND ASME RATED T&P RELIEF VALVE

#### DESIGN-CERTIFIED BY CSA INTERNATIONAL

- Certified at 150 psi working pressure.
- Certified to ANSI Z21.10.1-CSA 4.1 or ANSI Z21.10.3-CSA 4.3 standards governing storage tank-type water heaters.

#### AVAILABLE IN NATURAL GAS AND PROPANE

#### 6-YEAR LIMITED TANK AND PARTS WARRANTY



Low Lead Content



(EXCEPT GS6 75 YRPDTL)



# SOLID. STATE.



# COMMERCIAL-GRADE

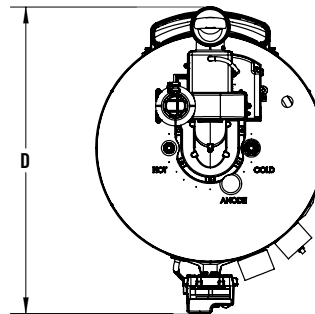
## RESIDENTIAL GAS WATER HEATERS

Model Number	Series	Nominal Capacity	Rated Storage Volume	First Hour Rating (Gallons)	UEF	BTU Input Per Hour	Recovery @ 90°F Rise Gallon Per Hour	Dimensions in Inches								Approx. Shipping Weight (lb)
								A	B	C	D	E	F	G	H	
GS6 40 YBPDS	200	40	38	74	0.68	40,000	45	58-1/4	49-5/8	22	29-7/8	11	13-1/4	42-1/2	15-1/4	174
GS6 50 YBPDT	200	50	48	81	0.72	45,000	50	67-1/2	58-3/4	22	29-7/8	11	13-1/4	51-3/4	15-1/4	192
GS6 50 YRPDTL 5	200	50	48	118	0.73	62,000**	73	69	60-1/4	22	29-7/8	11	13-1/4	52-3/4	15-1/4	200
†GS6 75 YRPDTL	210	75	72	129	0.68	76,000	82	70-5/8	61-1/2	26	33-7/8	11	13-1/4	53	15-1/4	277

\*Propane model has input of 58,000 BTU/hr.  
 When ordering propane (LP), change "Y" to "H" in the model number (example GS6 40 YBPDSL).  
 For side connect models, add "L" to model number, e.g. GS6-50-YBPDTL.  
 Side connections available on YBPDS and YBPDT models.  
 Side connections are standard on YRPDTL models.  
 Natural gas models cited are series 200/210. Propane models are series 201/211.  
 All models rated for installation at altitudes up to 10,100 ft.  
 †GS6 75 YRPDTL is not ENERGY STAR® qualified.

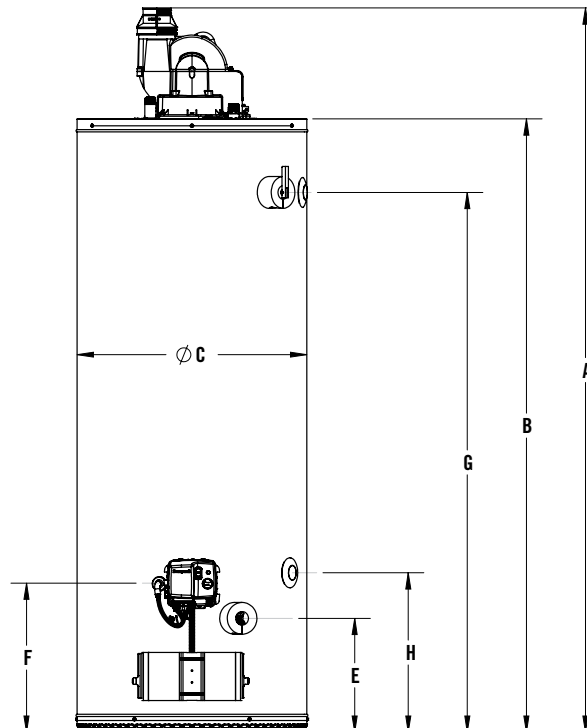
### Vent Length

Model Number	Vent Length		
	Maximum Vent Length Eq. Ft.		
	Ø2"	Ø3"	Ø4"
GS6 40 YBPDS	50'	125'	180'
GS6 50 YBPDT	50'	125'	180'
GS6 50 YRPDTL 5	N/A	50'	125'
GS6 75 YRPDTL 5	N/A	50'	125'



### Optional Vent Kits

Description	Part Number
2" Vent Kit- Coupling, sound suppressor	330828-000
3" Vent Kit- Coupling, sound suppressor	330851-000
2" Concentric Vent Kit	9008586005
3" Concentric Vent Kit	9006328005
Hi Ambient Kit	9009024015



FOR MORE INFORMATION CONTACT: STATE WATER HEATERS 500 TENNESSEE WALTZ PARKWAY, ASHLAND CITY, TN 37015 • 800-365-0024 TOLL-FREE USA • STATEWATERHEATERS.COM