



Maxstow™
medicine cabinet, 15" x 24"
K-81144

Features

- Innovative staggered shelf layout fits tall and short items.
- Deep shelves hold large containers.
- Low-profile design hugs the wall for a clean look.
- Mirror-front door with reflective mirrored interior.
- Three fixed shelves.
- Two-way adjustable hinges with 108-degree opening capability for easy cabinet access.

Material

- Rust-free aluminum.

Installation

- Easy surface-mount installation—no wall cutting.
- Reversible: install as left- or right-hinge swing.
- Includes mounting hardware.
- Includes two reversible side panel kits (White and Grey) to match your decor.

Recommended Products/Accessories

K-23723 Faucet cleaner



Codes/Standards

None Applicable

KOHLER® One-Year Limited Warranty

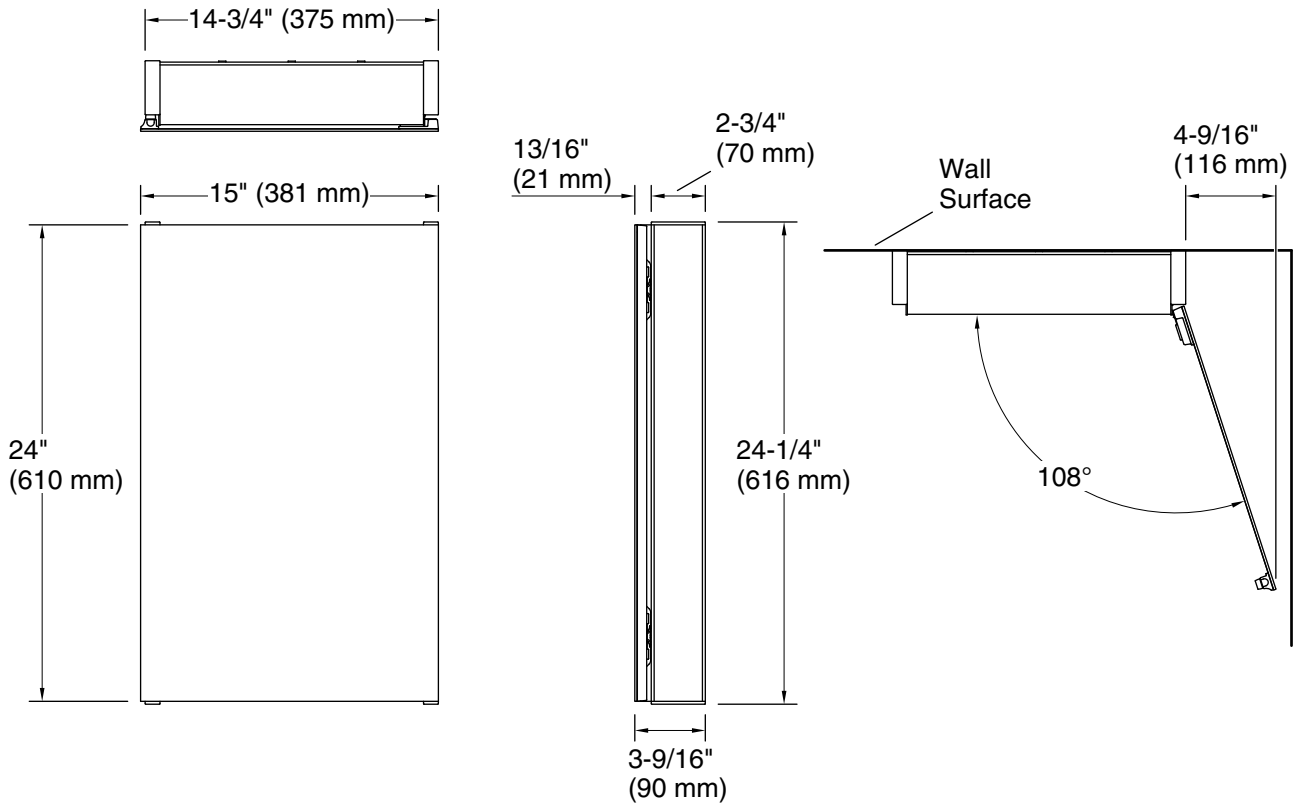
See website for detailed warranty information.

Available Colors/Finishes

Color tiles intended for reference only.

Color Code Description

	DA1	Dark Anodized Aluminum
--	-----	------------------------



Technical Information

All product dimensions are nominal.

Vanity type: Wall-mount

Mirror type: Wall-mount

Notes

Install this product according to the installation instructions.

When determining the height of the cabinet, ensure the mirrored door will clear all obstacles (such as a faucet). A minimum distance of 3" (76 mm) is required.

This cabinet is designed for either right or left door swing. Check for obstructions.

Use anchors (not provided) rated for the loaded weight of this product. Refer to the anchor manufacturer's instructions.