

Trusted. Tested. Tough.®

SECTION: 2.45.066

FM3293

0121

Supersedes

New

Product information presented here reflects conditions at time of publication. Consult factory regarding discrepancies or inconsistencies.



U.S. Patent Nos. 9,004,381;
8,562,287

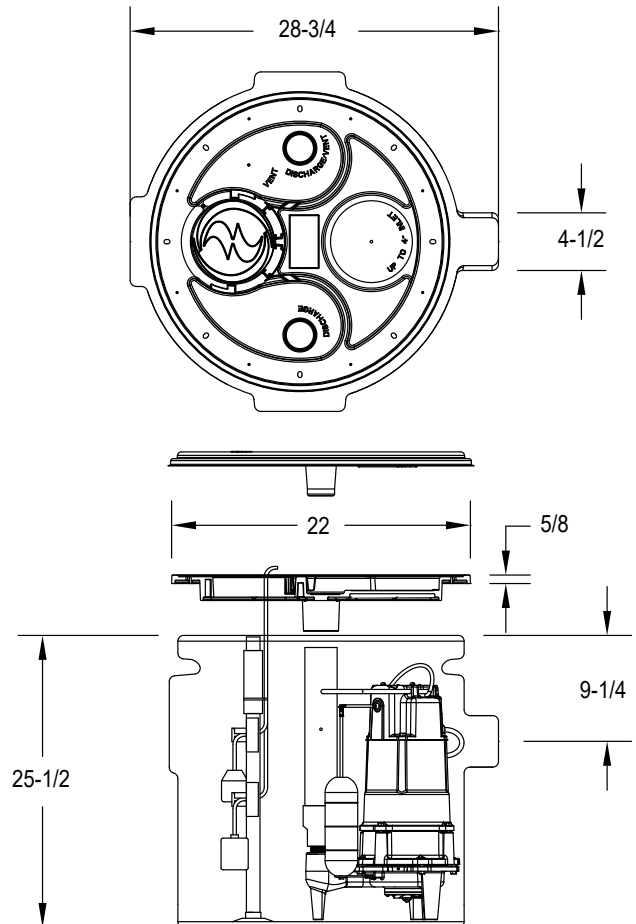
TECHNICAL DATA SHEET

NEW MODEL 915 GRINDER PACKAGE

Ideal solution for residential wastewater applications or 2" sewage ejector retrofits.

PRODUCT SPECIFICATIONS

MOTOR	Horse Power	0.5 - 1.0
	Voltage	115/230
	Phase	1 Ph
	Hertz	60 Hz
	RPM	3400
	Type	Capacitor start / Capacitor run
	Insulation	Class B
	Amps	115 V (7-11) / 230 V (3-5)
PUMP	Operation	Automatic & nonautomatic
	Auto On/Off Points	13" (33 cm) / 5-3/4" (14.6 cm)
	Discharge Size	1.25" NPT
	Cord Length	15' (5 m) standard
	Cord Type	UL listed 3-wire plug
	Max. Head	55' (16.8 m)
	Max. Operating Temp.	130° F (54 °C)
Cooling	Oil	
Motor Protection	Auto reset thermal overload (1 Ph)	
MATERIALS	Cover	Cast iron
	Motor housing	Cast iron
	Adapter	Cast iron
	Pump housing	Cast iron
	Upper Bearing	Ball bearing
	Lower Bearing	Ball bearing
	Mechanical Seals	Carbon and ceramic
	Impeller Type	Non-clogging vortex
	Impeller	Engineered plastic
	Hardware	Stainless steel
	Motor Shaft	1215 cold rolled steel
	Gasket	Neoprene
	Cutter & Plate	440C Stainless Steel



SK3304

BASIN SPECIFICATIONS

- Polyethylene basin
- Polyethylene structural foam cover with 2" vent and 2" discharge
- 41 gallon (155 liter) capacity
- Integral foam seal

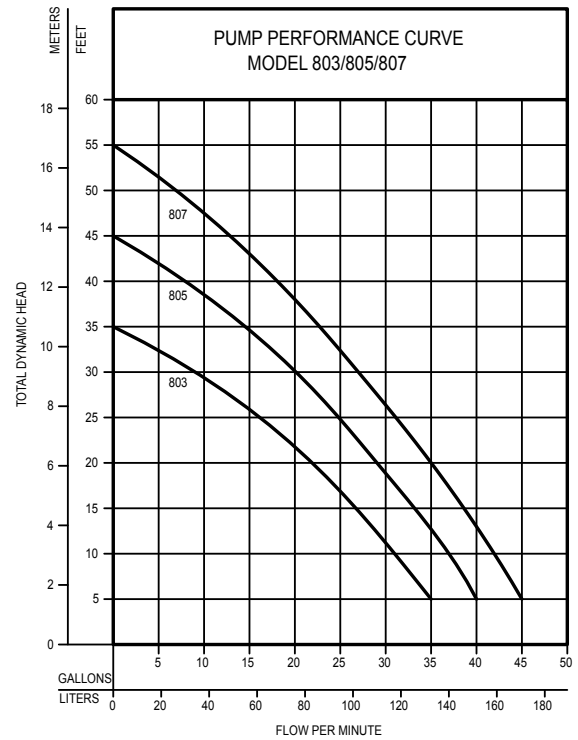


© Copyright 2021 Zoeller® Co. All rights reserved.

502-778-2731 | 800-928-7867 | 3649 Cane Run Road | Louisville, KY 40211-1961 | zoellerpumps.com

TOTAL DYNAMIC HEAD FLOW PER MINUTE

MODEL		803		805		807	
Feet	Meters	Gal.	Liters	Gal.	Liters	Gal.	Liters
5	1.5	35	132	40	151	45	170
10	3.0	31	117	37	140	42	159
20	6.1	22	83	29	110	35	132
30	9.1	9	34	20	76	27	102
40	12.2	--	--	8	30	18	68
50	15.2	--	--	--	--	7	26
Shut-off Head:		35 ft. (10.7 m)		45 ft. (13.7 m)		55 ft. (16.8 m)	



153604B

GRINDER PACKAGES*

Model	Pump	HP	Voltage/Ph	Amps	Discharge	Weight Lbs / Kg	Alarm?
915-0047	M803	1/2	115 V / 1Ph	7.0	2"	100 / 45	N
915-0048	M803	1/2	115 V / 1Ph	7.0	2"	100 / 45	Y
915-0049	BN803	1/2	115 V / 1Ph	7.0	2"	100 / 45	N
915-0081	BN803	1/2	115 V / 1Ph	7.0	2"	100 / 45	Y
915-0086	M807	1	115 V / 1Ph	11.0	2"	100 / 45	N
915-0087	M807	1	115 V / 1Ph	11.0	2"	100 / 45	Y
915-0088	BN807	1	115 V / 1Ph	11.0	2"	100 / 45	N
915-0089	BN807	1	115 V / 1Ph	11.0	2"	100 / 45	Y

*CONSULT FACTORY FOR OTHER SEWAGE AND GRINDER OPTIONS.

CAUTION

All installation of controls, protection devices and wiring should be done by a qualified licensed electrician. All electrical and safety codes should be followed including the most recent National Electrical Code (NEC) and the Occupational Safety and Health Act (OSHA).