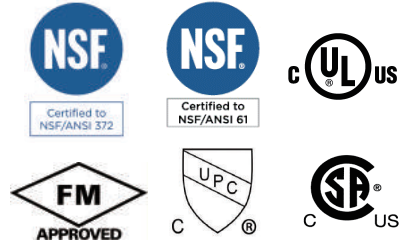




# LEAD FREE BRASS BALL VALVES IPS

## Features

- Full Port
- 600 PSI Non-Shock WOG
- Temperature Range : -18 °F - 298 °F
- Heavy Duty Rust Resistant Handle with Vinyl Grip
- Blowout-Proof Stem
- Threaded Ends Comply with ANSI B1.20.1
- Materials Comply with NSF 372
- Comply with MSS SP-110
- Size : 1/2" - 2"

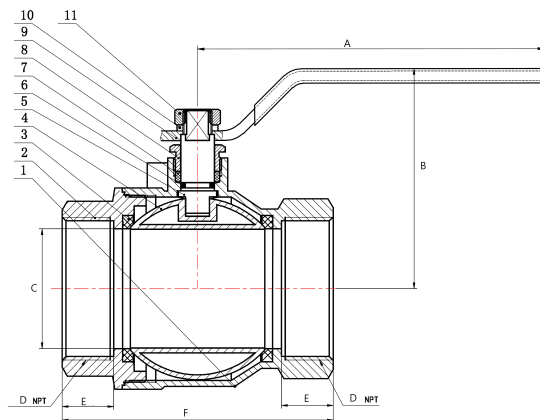


## Dimensions & Materials List

\*Weighted average lead content  $\leq 0.25\%$

Product#	MFG #	Size		A		B		C Ø		D		E		F	
		In.	mm.	In.	mm.	In.	mm.	In.	mm.	In.	mm.	In.	mm.	In.	mm.
4PRO12LFIPSBV	10.10172.N15	1/2"	15	4.00	101.5	1.81	46	0.59	15	1/2" NPT	15	0.53	13.5	2.09	53
4PRO34LFIPSBV	10.10172.N20	3/4"	20	4.00	101.5	2.09	53	0.75	19	3/4" NPT	20	0.59	15.0	2.42	61.5
4PRO1LFIPSBV	10.10172.N25	1"	25	4.86	123.5	2.81	71.5	0.98	25	1" NPT	25	0.71	18	2.91	74
4PRO114LFIPSBV	10.10172.N32	1-1/4"	32	4.86	123.5	3.06	77.7	1.26	32	1-1/4" NPT	32	0.71	18	3.27	83
4PRO112LFIPSBV	10.10172.N40	1-1/2"	40	5.83	148	3.31	84	1.57	40	1-1/2" NPT	40	0.79	20	3.82	97
4PRO2LFIPSBV	10.10172.N50	2"	50	5.83	148	3.60	91.5	1.97	50	2" NPT	50	0.85	21.5	4.45	113

No.	Part Name	Qty	Materials
1	Body	1	Lead Free Brass
2	End Cap	1	Lead Free Brass
3	Ball	1	Lead Free Brass
4	Seat	2	PTFE
5	Stem Packing	1	PTFE
6	Stem	1	Brass
7	Gland Nut	1	PTFE
8	Packing Nut	1	Brass
9	Handle	1	Steel
10	Washer	1	Steel
11	Nut	1	Steel



Job Name	
Date	
Model Specified	
Quantity	
Customer	
Contractor	
Architect/engineer	

Threaded Ends ANSI B1.20.1