

## GSA2(B,Q)D Series

### High Efficiency Air Conditioner 13 SEER Manufactured Housing System 2 – 4 Ton Capacity

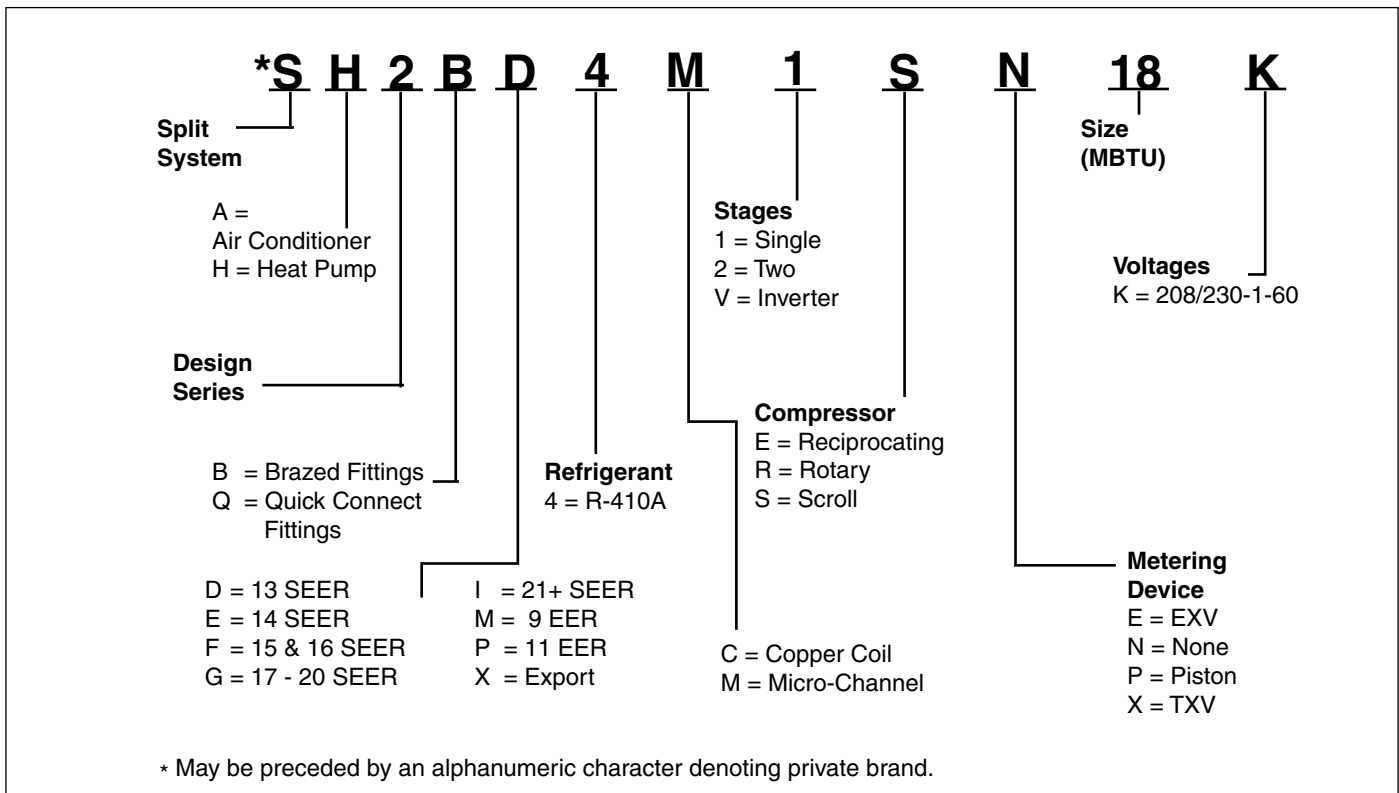
The GSA2(B,Q)D Series of air conditioners offer exceptional performance. The unit, when combined with our engineered coils or air handlers, offers a full line of quality, split system cooling equipment.



### FEATURES and BENEFITS

- **QD Models Offer Quick Connect Fittings:** Simplify the installation, no brazing, no evacuation required. Charged with refrigerant for 15 feet of lineset.
- **BD Models Offer Full Service Valves:** These brass valves are easily accessible and simplify servicing of the refrigeration system. Charged with refrigerant for 20 feet of lineset.
- **Designed Using Galvanized Steel:** With a polyester urethane coat finish, it passes 950 hours of salt spray per ASTM Std. B117.
- **Composite Base Pan:** Absorbs sound and is corrosion resistant. Composite is also stronger and lighter than steel.
- **Permanently Lubricated Motor:** A heavy duty PSC motor for long lasting reliability and quiet operation. Requires no maintenance and is completely protected from rain and snow.
- **Removable Top Grille Assembly:** Allows ease of service from the top without disconnecting fan motor leads.
- **High Pressure Switch:** Protects against abnormally high system pressures. Auto-reset feature prevents nuisance service visits.
- **Liquid Line Filter Drier:** Included with unit, factory installed on QD and field installed on BD models.
- **One Piece Top/Orifice:** Designed for maximum airflow and quiet operation.
- **Easy Compressor and Control Access:** Designed to make servicing easier for the contractor, access panels are provided to all controls and the compressor from the side of the unit.
- **All-Aluminum coils:** Aluminum coils in all models which provides high corrosion resistance.
- **Powder Coated Wire Guard and Mesh Hail Guard:** Will never rust and protects the coil from being damaged by balls, lawnmowers, hail, etc.

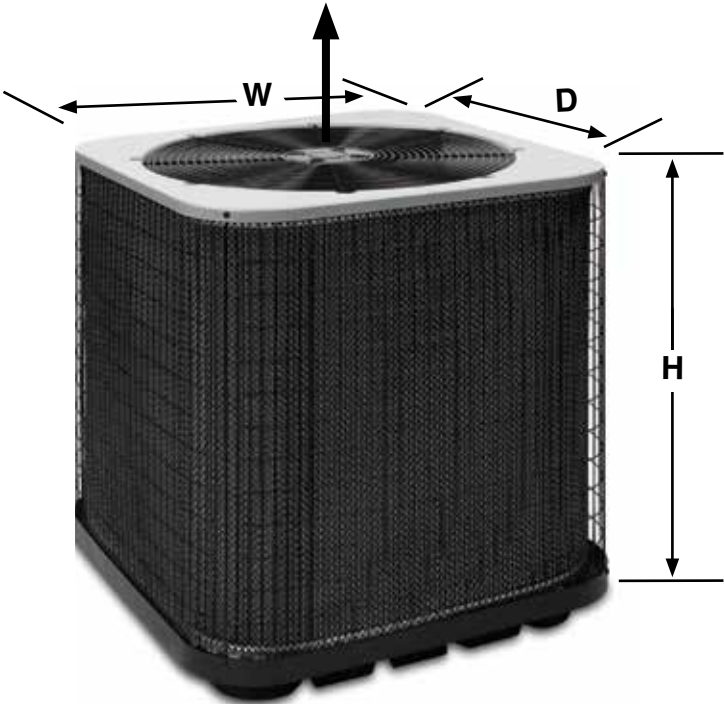
# MODEL IDENTIFICATION CODES



**DIMENSIONS**  
**AIR CONDITIONER OUTDOOR SECTION**

GSA2(B,Q)D	24K	30K	36K	42K	48K
H	28.5	28.5	36.5	29.25	29.25
W	23.75	23.75	23.75	30.75	30.75
D	23.75	23.75	23.75	30.75	30.75

**Air Discharge**  
**Allow Adequate Clearance for Airflow**



# PHYSICAL AND ELECTRICAL SPECIFICATIONS / OUTDOOR UNITS

## 13 SEER — High Efficiency — Single Phase

Model Number GSA2(B,Q)D4M1		RN24K	RN30K	RN36K	SN42K	SN48K
Electrical Data	Volts-Cycles-Phase (1)	208/230-60-1				
	Delay Fuse Max. (2)	15	20	25	40	50
	Min. Circuit Ampacity	11.1	13.1	16.4	23.0	28.0
	Fan Motor	HP	1/10	1/10	1/4	1/4
Refrigerant suction line O.D. NOTE: Liquid line is 3/8" O.D. for entire length.	0-24 ft.	3/4"	3/4"	3/4"	7/8"	7/8"
	25-39 ft.	3/4"	3/4"	7/8" (3)	7/8"	7/8"
	40-75 ft.	3/4"	3/4"	7/8" (3)	7/8"	7/8"
Approximate Weight (lbs.)	Net	108	116	126	151	144
	Ship	122	130	142	172	165
Sound Rating db		74	75	74	79	79

(1) Operating Voltage Range: 187v min. - 253v max.

(2) HACR Type Circuit Breakers may be used.

(3) Requires 7/8" to 1-1/8" reducer from line to unit.

Values based on suction line as follows with 3/8" liquid line.

a) 3/4" = 0.6 oz. per additional foot.

b) 7/8" = 0.7 oz. per additional foot.

c) 1 1/8" = 0.8 oz. per additional foot.

## ACCESSORIES - Condensing Unit

### Start Assist Kit - 912933

Provides additional starting torque for the compressor motor when operating with low line voltage or high operating temperatures.

### Low Ambient Kit - 918837

## SYSTEM COOLING CAPACITIES

### 13 SEER — High Efficiency — Single Phase

Manufactured Housing Gas Furnace						
Outdoor Unit	Indoor Unit	Coil Height	Cooling Capacity @ 95° F	SEER	EER @ 95° F	CFM
GSA2QD4M1RN24KA	C8QAM024U-B	20"	22800	13	10.5	650
GSA2QD4M1RN30KA	C8QAM030U-B	20"	28400	13	10.5	1050
GSA2QD4M1RN36KA	C8QAM036U-B	20"	34000	13	10.5	1100
GSA2QD4M1SN42K	CM4Q-53U	18.5"	39000	13	10.3	1290
GSA2QD4M1SN48K	CM4Q-54U	18.5"	44000	13	10.3	1415
GSA2BD4M1RN24KA	C8DAM01830U-B	20"	22800	13	10.5	650
GSA2BD4M1RN30KA	C8DAM01830U-B	20"	28400	13	10.5	1050
GSA2BD4M1RN36KA	C8DAM01830U-B	20"	34000	13	10.5	1100
GSA2BD4M1SN42K	CM4Q-53U	18.5"	39000	13	10.3	1290
GSA2BD4M1SN48K	CM4Q-54U	18.5"	44000	13	10.3	1415

See current AHRI Directory for certified combinations and ratings. All ratings are with time delay relay.  
[www.ahridirectory.org](http://www.ahridirectory.org)

E Series Electric Furnace						
Outdoor Unit	Indoor Unit	Coil Height	Cooling Capacity @ 95° F	SEER	EER @ 95° F	CFM
GSA2QD4M1RN24KA	C8QAM024U-B	20"	22800	13	10.5	650
GSA2QD4M1RN30KA	C8QAM030U-B	20"	28400	13	10.5	1050
GSA2QD4M1RN36KA	C8QAM036U-B	20"	34000	13	10.5	1100
GSA2QD4M1SN42K	CM4Q-53U	18.5"	39000	13	10.3	1290
GSA2QD4M1SN48K	CM4Q-54U	18.5"	44000	13	10.3	1415
GSA2BD4M1RN24KA	C8DAM01830U-B	20"	22800	13	10.5	650
GSA2BD4M1RN30KA	C8DAM01830U-B	20"	28400	13	10.5	1050
GSA2BD4M1RN36KA	C8DAM01830U-B	20"	34000	13	10.5	1100
GSA2BD4M1SN42K	CM4B-53U	18.5"	39000	13	10.3	1290
GSA2BD4M1SN48K	CM4B-54U	18.5"	44000	13	10.3	1415
GSA2BD4M1SN48K	CM4B-55U	24.5"	45000	13	10.3	1415

See current AHRI Directory for certified combinations and ratings. All ratings are with time delay relay.  
[www.ahridirectory.org](http://www.ahridirectory.org)







### GENERAL TERMS OF LIMITED WARRANTY

Nortek Global HVAC, LLC will furnish a replacement for any part of this product which fails in normal use and service within the terms and conditions of the warranty.

For complete details of the Limited Warranty, including applicable terms and conditions, see your local installer or contact the Nortek Global HVAC, LLC warranty department for a copy.

Before purchasing this appliance, read important energy cost and efficiency information available from your retailer. Specifications and illustrations subject to change without notice and without incurring obligations. Printed in U.S.A (10/2020)