

### Features

- 0.35 gpm (1.3 lpm) maximum flow rate at 60 psi (4.14 bar)
- Factory-set 30-second maximum continual run cycle
- Vandal-resistant aerator
- 24" (610 mm) flexible supply hose for easy installation
- 5" (127 mm) spout reach
- Includes two AAA batteries
- Stationary spout
- Without temperature mixer
- Less drain

### Material

- Brass

### Installation

- Single-hole mounting
- Above-counter battery and valve for easy installation and maintenance



ADA

CSA B651

OBC

### Codes/Standards

ASME A112.18.1/CSA B125.1

NSF/ANSI/CAN 372

All applicable US Federal and State material regulations

DOE - Energy Policy Act 1992

California Energy Commission (CEC)

ADA

ICC/ANSI A117.1

CSA B651

OBC

### **KOHLER® Electronic Faucets, Valves, and Controls Five-Year Limited Warranty**

See website for detailed warranty information.

### Available Colors/Finishes

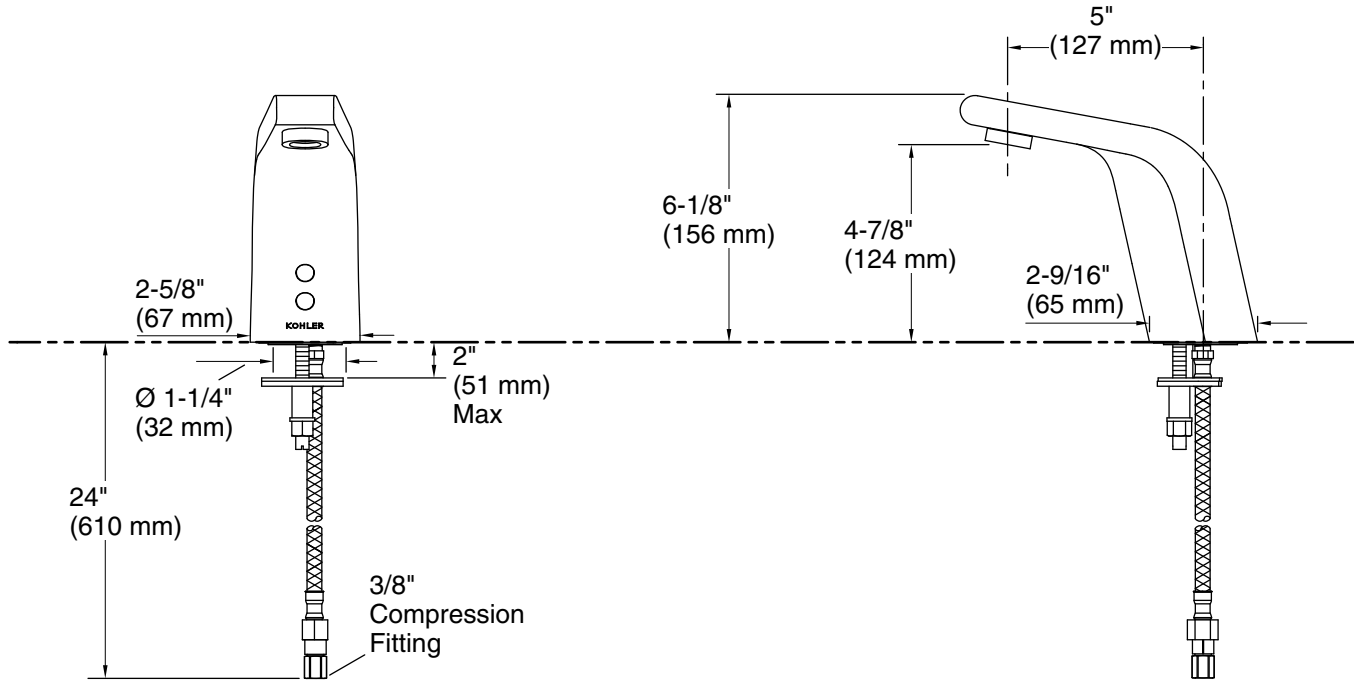
*Color tiles intended for reference only.*

Color	Code	Description
-------	------	-------------



CP

Polished Chrome



### Technical Information

All product dimensions are nominal.

#### Faucet:

Flow rate: 0.35 gal/min (1.3 l/min)

Drain included: No

Drain with overflow: Yes

#### Spout:

Spout reach: 4-15/16" (125 mm)

#### Handshower:

Rated maximum flow: 0 gal/min (0 l/min)

### Notes

Install this product according to the installation instructions.

ADA, OBC, CSA B651 compliant when installed to the specific requirements of these regulations.