



# LAVATORY FAUCETS

- Haywood™ Bath Collection
- Single Handle Deck Faucet

## FEATURES:

- DIAMOND Seal® Technology

## STANDARD SPECIFICATIONS:

- Maximum 1.2 gpm flowrate @ 60 PSI, 4.5L/Min @ 414 kPa.
- 1 or 3 hole mount (escutcheon included).
- Diamond coated ceramic cartridge.
- 3/8" O.D. straight, staggered PEX supply lines.
- Models have drain with plastic pop-up type fitting with plated flange and stopper.

## Warranty

- Lifetime limited warranty on parts (other than electronic parts and batteries) and finishes: or, for commercial users, for 5 years from date of purchase.
- 5 year limited warranty on electronic parts (other than batteries); or, for commercial users, for 1 year from the date of purchase. No warranty is provided on batteries.

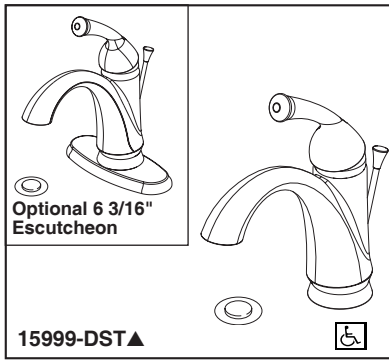


## COMPLIES WITH:

- ASME A112.18.1 / CSA B125.1
- ASME A112.18.2 / CSA B125.2
- Indicates compliance to ICC/ANSI A117.1
- EPA WaterSense®
- Verified compliant with .25% weighted average Pb content regulations.

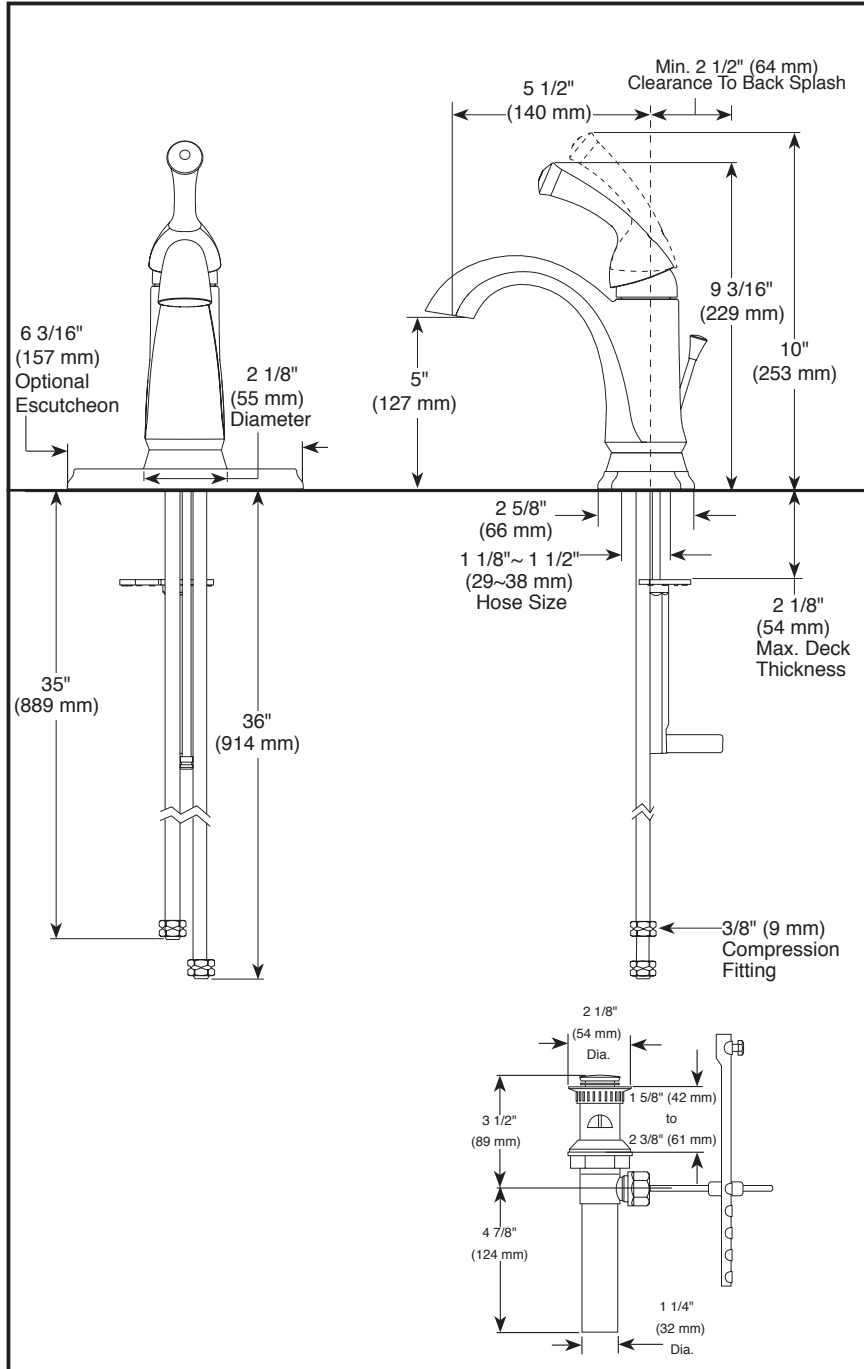


55 E. 111th Street, Indianapolis, Indiana 46280  
350 South Edgeware Road, St. Thomas, ON N5P 4L1  
© 2015 Masco Corporation of Indiana



Submitted Model No.: \_\_\_\_\_

Specific Features: \_\_\_\_\_



▲ Designate Proper Finish Suffix

Delta reserves the right (1) to make changes in specifications and materials, and (2) to change or discontinue models, both without notice or obligation. Dimensions are for reference only. See current full-line price book or [www.deltafaucet.com](http://www.deltafaucet.com) for finish options and product availability.

DSP-L-15999-DST Rev. A