

Specifications

Descriptions

- Ø1¼" tail piece
- Push drain

Available colors

- C : Chrome
- BN : Brushed Nickel (PVD)
- PN : Polished Nickel (PVD)

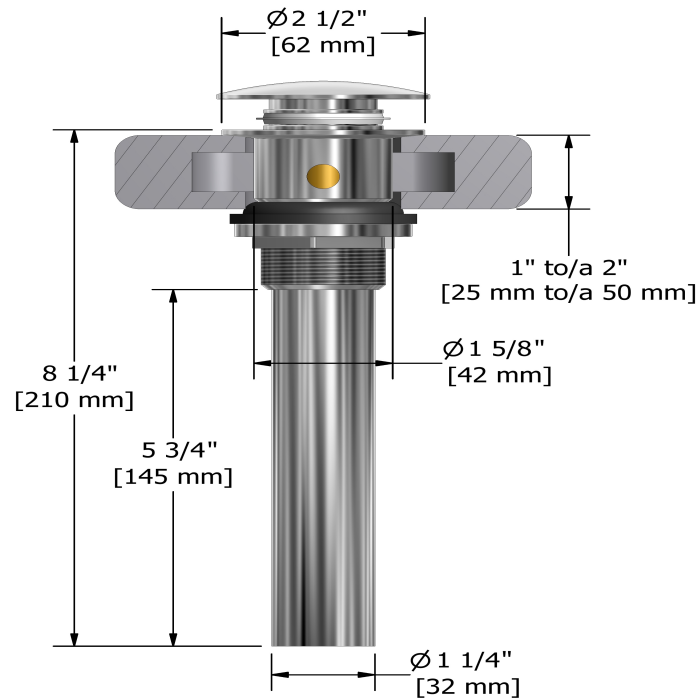
Certifications

- CMR248 Approval
- CSA B125.2
- ASME A112.18.2

Lavatory push drain with overflow
DB170



UPC®



Sizes, models and finishes may differ from those presented.

Warranty

7KLV 5LREHO ,QF SURGXFW \RX KDYH SXUFKDVHG FDUULHV D /LPLWHG /LIHWLPH :DUUDQW\ RQ V
LQLWLDO SXUFKDVH GDWH DJDLQVW DOO PDQXIDFWXULQJ GHIHFVW \$OO RWKHU ILQLVKHV LQ
DUH FRYHUHG E\ D \HDKHZDLWVHQWDRUHQW RQ RXU SURGXFWV ZLOO EH KRQRUHG RQ\ LI W

Customer & D U H

3KRQH _ (PDLO FXVWRPHUFDUH#KRXVHRIURKO FRP _ :HEVLWH KRXVHRIURKO FRP V