


563TP  
Toilet Paper Holder  
**Specification Submittal**

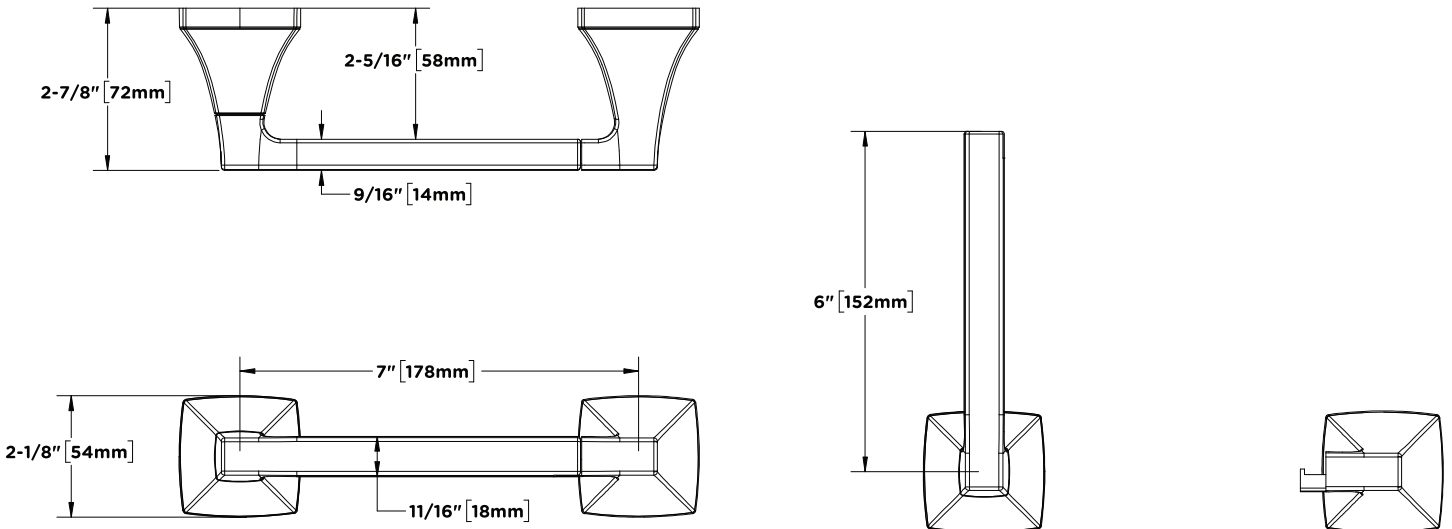
Location:

<p><b>Model Numbers</b></p>	<p><b>Options/Modifications</b></p>
<p><input type="checkbox"/> <b>563TP</b> Toilet Paper Holder</p>	<p><input type="checkbox"/> <b>BBZ</b> Brushed Bronze finish  <input type="checkbox"/> <b>MB</b> Matte Black finish  <input type="checkbox"/> <b>STN</b> Satin Nickel finish</p>
<p><b>Feature Highlights</b></p>	<p><b>Warranty</b></p>
<ul style="list-style-type: none"> <li>• Metal construction.</li> <li>• Standard finish is Polished Chrome.</li> <li>• RA-09132 mounting hardware included.</li> </ul>	<p><b>Limited Lifetime</b> - for residential installations.  <b>10 Years</b> - for commercial/industrial installations.  Refer to <a href="http://www.symmons.com/warranty">www.symmons.com/warranty</a> for complete warranty information.</p> 

**Architectural/Engineering Specification**

Symmons \_\_\_\_\_ Toilet Paper Holder includes metal construction, Polished Chrome standard finish, and RA-09132 mounting hardware. 10-Year Commercial Warranty. Available options: BBZ = Brushed Bronze finish, MB = Matte Black finish, and STN = Satin Nickel finish.

**Dimensions**



**Note:**  
1) Dimensions subject to change without notice.