

BOILER NUMBER (1)(3)	C.S.A. INPUT MBH	DOE HEATING CAPACITY MBH	NET AHRI RATINGS				SHP WGT	PART NUMBER (WATER)	PART NUMBER (STEAM)
			STEAM MBH	STEAM SQ. FT.	WATER MBH	WATER SQ. FT. (2)			
EG-35-PIDN	100.0	83	62	258	73	467	410	118-351-300	118-354-300
EG-40-PIDN	125.0	104	78	325	91	587	500	118-401-300	118-404-300
EG-45-PIDN	150.0	125	94	392	110	707	500	118-451-300	118-454-300
EG-50-PIDN	175.0	145	109	454	128	820	590	118-501-300	118-504-300
EG-55-PIDN	200.0	167	125	521	146	947	590	118-551-300	118-554-300
EG-65-PIDN	250.0	209	157	654	183	1,180	680	118-651-300	118-654-300
EG-75-PIDN	299.0	247	185	750	217	1,393	755	118-751-300	118-754-300

- Insert S for Steam and W for Water
- Based upon average water temperature or 170 °F in radiators.
- For elevations between 2,000 and 4,500 ft. above sea level, rating should be reduced by 10% and the boiler should be designated with the prefix "A". Example: (AEG-35-SPDN-W)

ADDITIONAL BOILER EQUIPMENT

DESCRIPTION	PART NUMBER
Tankless Heater Openings (With Cover Plate)	N.P.N.
EG Water or Steam - One Tankless Heater Opening in place of Standard Section	
Tankless Heater Water E-624 (EG35-45)	590-921-904
Tankless Heater Water E-626 (EG50-55)	590-921-905
Tankless Heater Water E-632 (EG65-75)	590-921-901
Tankless Heater Steam 35- S-29 (All Sizes)	386-700-350

Standard Equipment

Assembled Section Block
Horizontal to Vertical Draft Hood
Combination Gas Valve and Regulator
Spill Switch (EG-35 thru 65)
Thermopile
40VA Transformer

WATER:

High-Limit Control
Built-in Air Eliminator
30 P.S.I. A.S.M.E. Relief Valve
Comb. Pressure Temperature Gauge
Operating Control (EG-75 Only)

STEAM:

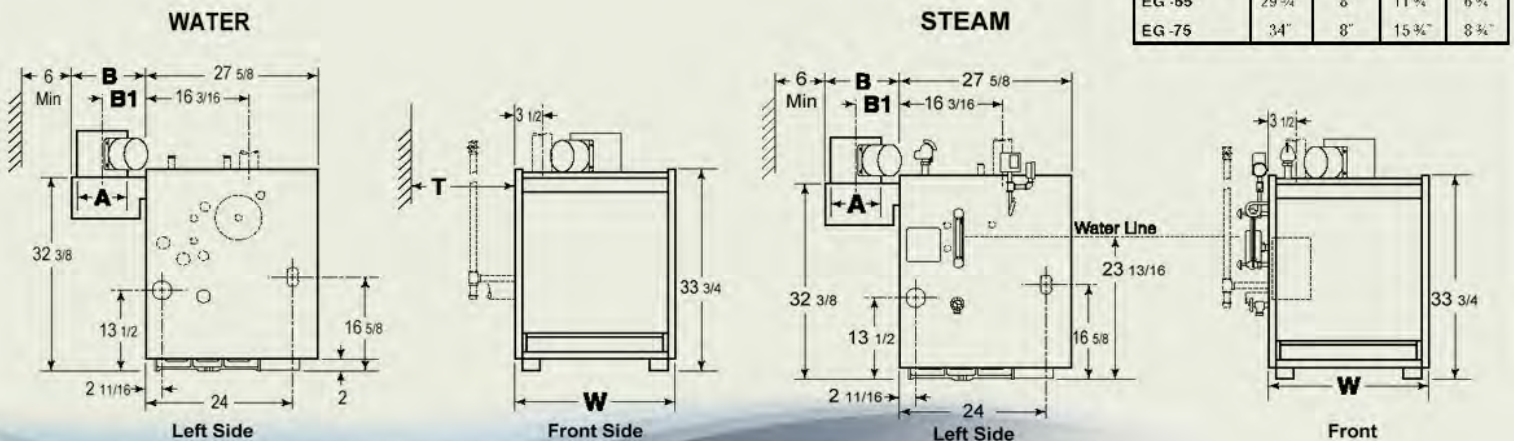
High-Limit Pressure Control
Steam Pressure Gauge
A.S.M.E Safety Valve 15 P.S.I.
Gauge Cocks
Gauge Glass
Low Water Cut-Off. 67W-1

Boiler Designations:

PIDN: Intermittent Electronic Pilot; Natural Gas Only; With Damper - Water Efficiency (83.4%) / Steam Efficiency (82.0%)

Standing Pilot Models SPDN/SPDL are available while quantities last. Consult Customer Service.

	W	A	B	B1
EG-30 & -35	17"	5"	11 3/4"	6 3/4"
EG-40 & -45	21 1/4"	6"	11 3/4"	6 3/4"
EG-50 & -55	25 1/2"	7"	11 3/4"	6 3/4"
EG-65	29 3/4"	8"	11 3/4"	6 3/4"
EG-75	34"	8"	15 3/4"	8 3/4"



FOR OTHER ADDITIONAL BOILER EQUIPMENT AND CONTROLS - SEE SECTION 5

BOILER NUMBER (1)	C.S.A. INPUT MBH	GROSS OUTPUT MBH	NET AHRI RATINGS		SHP WGT	PART NUMBER (STEAM)
			STEAM MBH	STEAM SQ. FT.		
EGH-85-PIN	315	243	182	760	870	100-000-154
EGH-95-PIN	360	278	208	868	960	100-000-155
EGH-105-PIN	405	312	234	977	1040	100-000-156
EGH-115-PIN	450	347	260	1085	1135	100-000-157
EGH-125-PIN	495	382	286	1193	1215	100-000-158

(1) For elevations between 2,000 and 4,500 ft. above sea level, rating should be reduced by 10% and the boiler should be designated with the prefix "A". Example: (AEG-35-SPDN-W)

ADDITIONAL BOILER EQUIPMENT

DESCRIPTION	PART NUMBER
Automatic Vent Damper Only - (Nat. Gas only)	
EGH-85-PIN 9 Inch	381-800-445
EGH-95 and 105-PIN 10 Inch	381-800-446
EGH-115 and 125-PIN 12 Inch	381-800-447
EGH-85-95 PIN NAT- LP Conversion Kit	510-811-411
EGH-105-125 PIN NAT- LP Conversion Kit	510-811-412
Tankless Heater Openings (With Cover Plate)	N.P.N
EGH STEAM - Two Tankless Heater Opening in place of Standard Sections	
Tankless Heater (Steam) 35-S-29	386-700-350

Standard Equipment

Assembled Section Block
Horizontal to Vertical Draft Hood
Combination Gas Valve and Regulator
Firing Valve and Pilot Reg (EGH-105 to 125)
Intermittent Electronic Pilot (EGH-105 to 125)

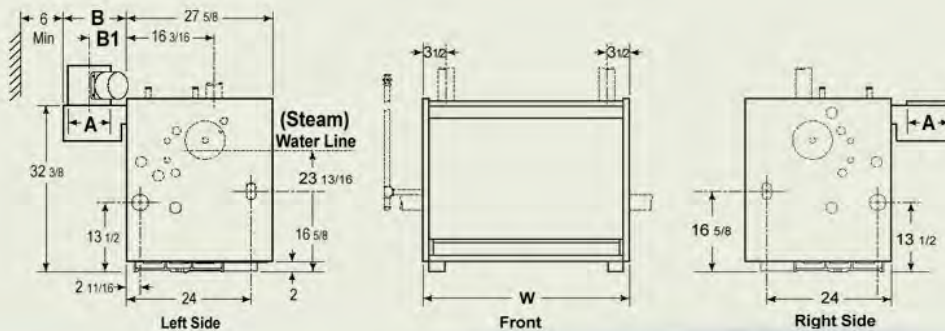
STEAM:

High-Limit Pressure Control
Steam Pressure Gauge
A.S.M.E. Safety Valve 15 P.S.I
Gauge Cocks
Gauge Glass
Low Water Cut-Off.67W-1
Operating Pressure Control (EGH-85 & 95)

BOILER DESIGNATIONS

PIL: Intermittent Electronic Ignition; Propane Gas; Without Vent Damper

PIN: Intermittent Electronic Pilot; Natural Gas Only - With or Without Vent Damper



	W	A	B	B1
EGH-85	38 1/4"	9"	15 3/4"	8 3/4"
EGH-95	42 1/2"	10"	15 3/4"	8 3/4"
EGH-105	46 3/4"	10"	15 3/4"	8 3/4"
EGH-115	51"	12"	15 3/4"	8 3/4"
EGH-125	55 1/4"	12"	15 3/4"	8 3/4"

In the interest of continual improvements in product and performance, Weil-McLain reserves the right to change specifications without notice.