

### Features

- 8" (203 mm) center.
- 5-1/8" (130 mm) wall-to-spout outlet with pail hook.
- 1/4-turn full brass ceramic valve.
- 13.5 gal/min (51 l/min) flow rate at 60 psi (4.1 bar).
- 2-7/16" vandal-resistant metal lever handles.
- Drain sold separately.

### Material

- Solid-brass construction with thick chrome plating for rough commercial applications.

### Installation

- Eccentric inlet shanks for easy installation.

### Recommended Products/Accessories

K-23723 Faucet cleaner



ADA CSA B651 OBC

### Codes/Standards

ASME A112.18.1/CSA B125.1

ADA

ICC/ANSI A117.1

CSA B651

OBC

### KOHLER® One-Year Limited Warranty

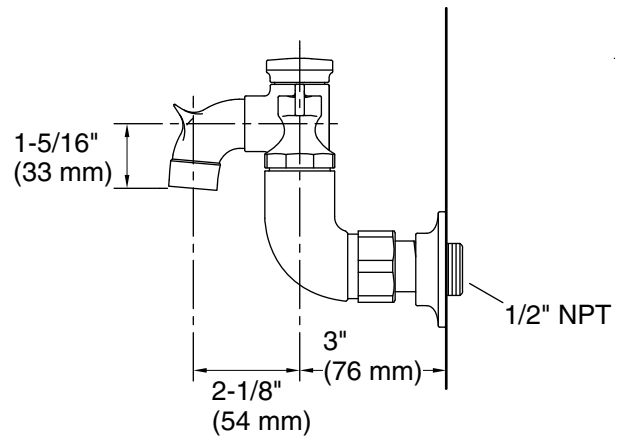
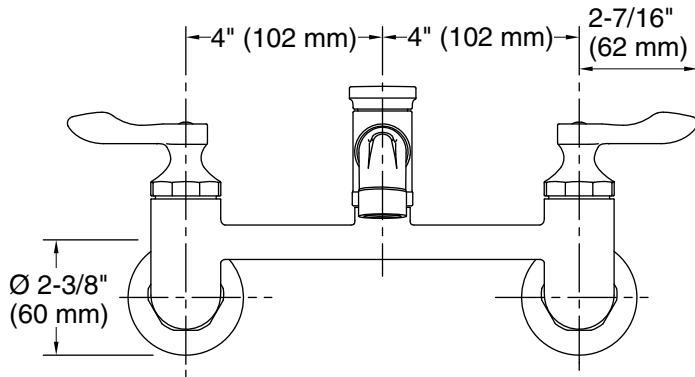
See website for detailed warranty information.

### Available Colors/Finishes

*Color tiles intended for reference only.*

#### Color Code Description

■ CP Polished Chrome



### Technical Information

All product dimensions are nominal.

#### Faucet:

Flow rate: 13.5 gal/min (51.1 l/min)

Pressure: 60 psi (4.1 bar)

Valve body: Cast brass

Drain included: No

#### Spout:

Spout reach: 5-1/8" (130 mm)

Handle clearance: 2-7/16" (62 mm)

### Notes

Install this product according to the installation instructions.

ADA, OBC, CSA B651 compliant when installed to the specific requirements of these regulations.