

**Allure® Side Handle Kitchen Faucet
Model LK6520****FEATURES**

Model LK6520

- One hole single lever top mount faucet
 - 1-1/2" (38mm) diameter faucet hole required
 - Maximum countertop thickness 1-1/2" (38mm)
- Cast brass, 360° swing spout
- Removable ceramic disc cartridge
- Heavy plate finish
- 3/8" (10mm) O.D. flexible supply tubes with 1/2" (13mm) male I.P.S. adapters.
- Available in the following colors & finishes
 - Black LK6520BK
 - Chrome LK6520CR
 - Brushed nickel LK6520NK
- Ship Wt. 5.5 lbs. (2.5Kg)
- Due to the weight of this faucet, Elkay recommends that it be installed to an 18" (457mm) gauge stainless steel sink (or heavier) or to a solid surface countertop
- Maximum flow rate
 - 2.5 GPM/9.5 L/min at 80 P.S.I.G
 - 2.2 GPM/8.3 L/min at 60 P.S.I.G

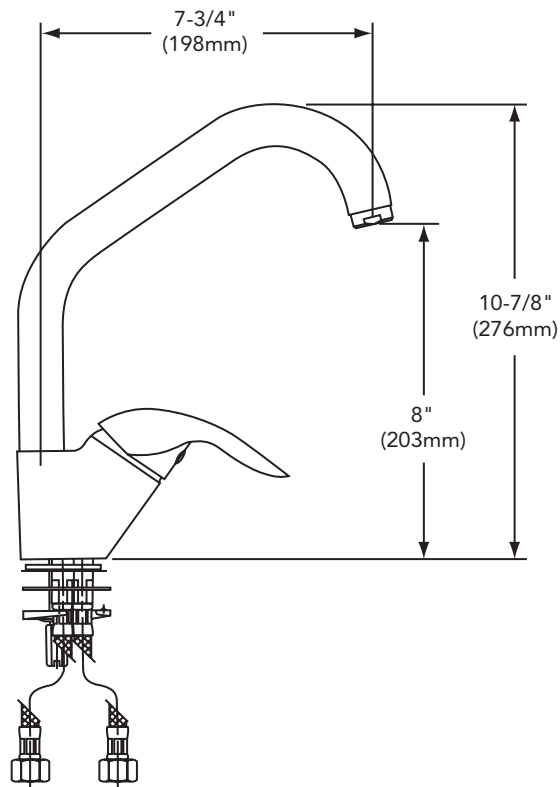
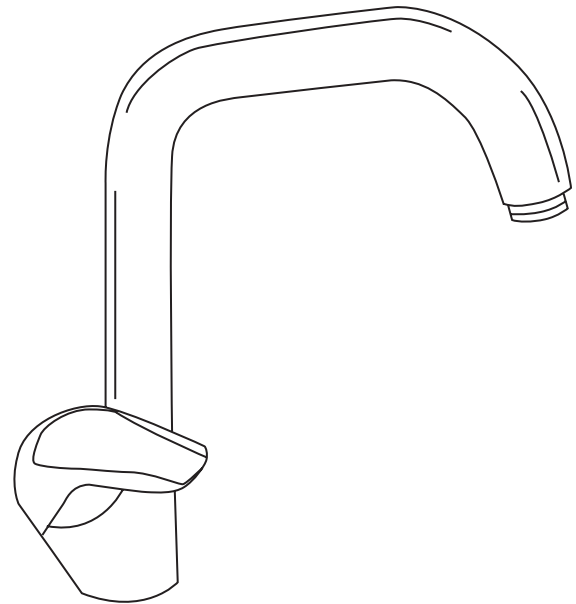
Model LK6520WH - Unavailable for purchase as of 8/04

WARRANTY

- Limited Lifetime

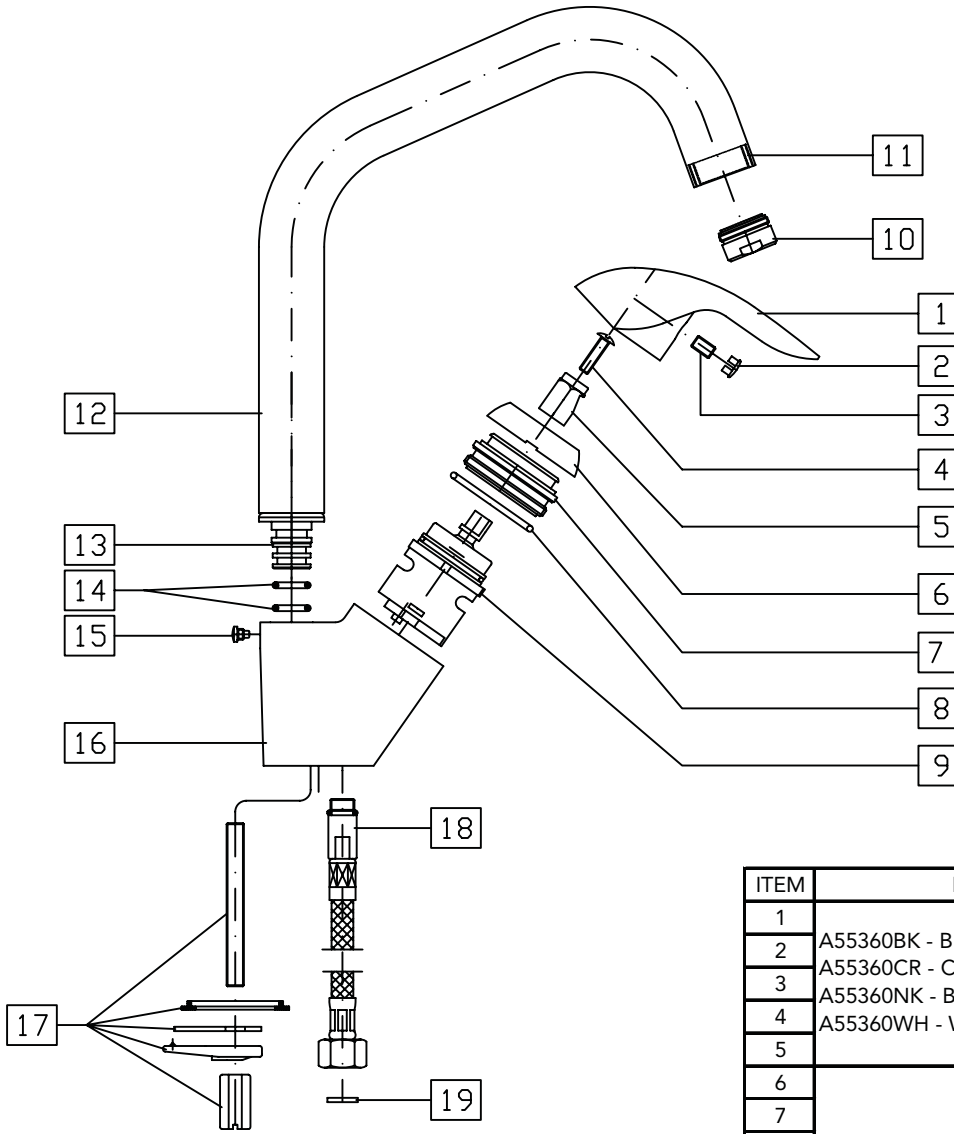
COMPLIES WITH:

- ADA
- ANSI/NSF61-CERTIFIED
- ASME A112.18.1-05/CSA B125.1-2005
- CA AB1953/VT S152
- cUPC-CERTIFIED
- UPC-CERTIFIED



SEE OTHER SIDE FOR REPLACEMENT PARTS

**Allure® Side Handle Kitchen Faucet
Model LK6520**



ITEM	PART	DESCRIPTION
1		
2	A55360BK - BLACK	LEVER HANDLE ASSEMBLY
3	A55360CR - CHROME	
4	A55360NK - BRUSHED NICKEL	
5	A55360WH - WHITE	
6		N/A
7		N/A
8		N/A
9	A54236	CARTRIDGE
10	A56060R - CHROME	AERATOR
	A56065R - BRUSHED NICKEL	
10		SPOUT ASSEMBLY
11	A55362BK - BLACK	
12	A55362CR - CHROME	
13	A55362NK - BRUSHED NICKEL	
14	A55362WH - WHITE	
15		N/A
16		N/A
17		N/A
18		N/A
19		N/A