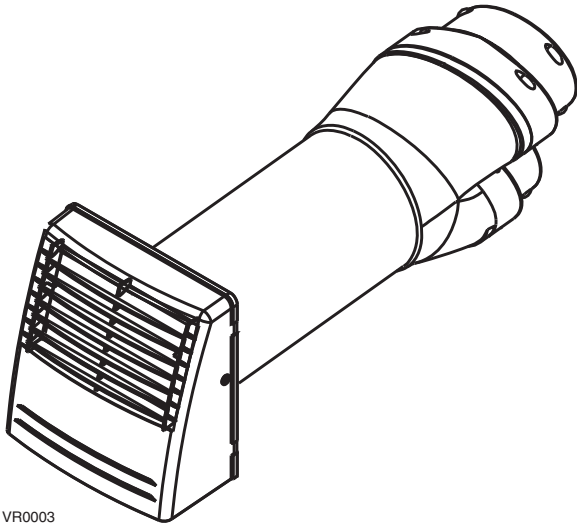


BROAN®

DUAL EXTERIOR HOOD INSTALLATION KIT

Part number: VTYIK1



TWO EXTERNAL VENTS IN ONE!

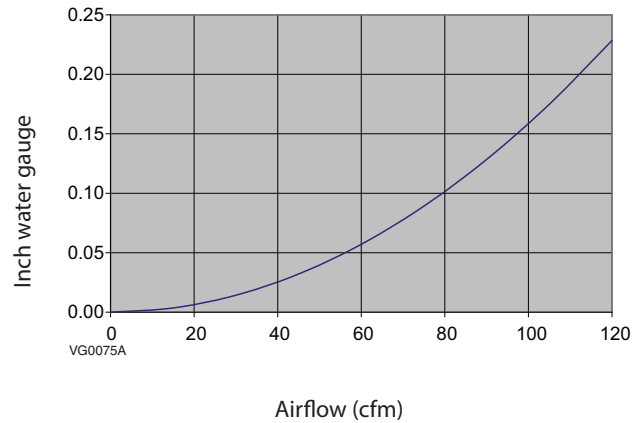
Imagine... Only one hole to cut in the exterior wall to perform an outdoor connection for an HRV or ERV. Introducing the simplest way to perform the outdoor connection for units that have a flow rate up to 110 CFM (0.4 in. w.g.) : the Dual Exterior Hood Kit. **(Exceptions apply, for more information refer to each unit's specific installation instructions.)**

- Only one 6" diameter hole in the exterior wall
- Aesthetic white polypropylene dual outdoor port
- Transition fits both 5" or 6" diameter insulated flexible ducts
- Hardware included
- Light materials, handy design
- Outdoor connection performed in half of the time
- Complies with ASHRAE 62.2-2016

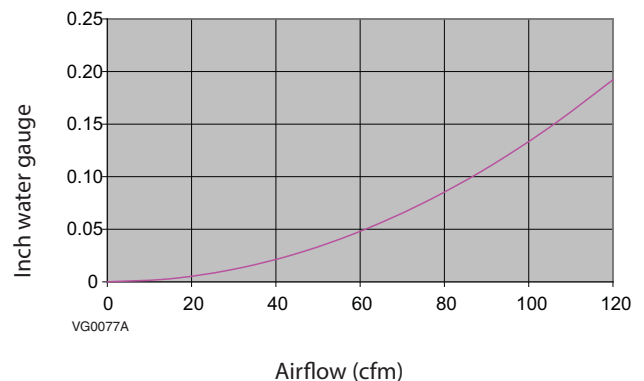
The revolutionary design of the Dual Exterior Hood Kit simplifies the installation because there is only one hole to cut in the exterior wall. In fact, every installer knows that locating efficiently one outdoor port is easier (and faster) than locating two. And moreover, there is almost no cross-contamination between the exhaust and intake airflows!

Available at:

Pressure drops (air intake)

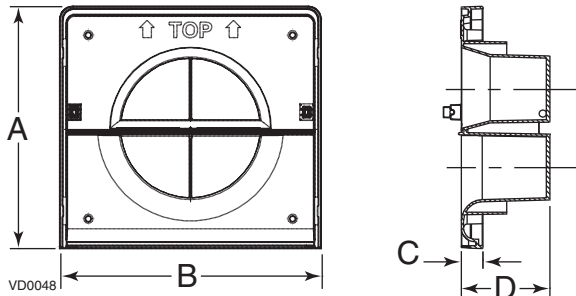


Pressure drops (air exhaust)



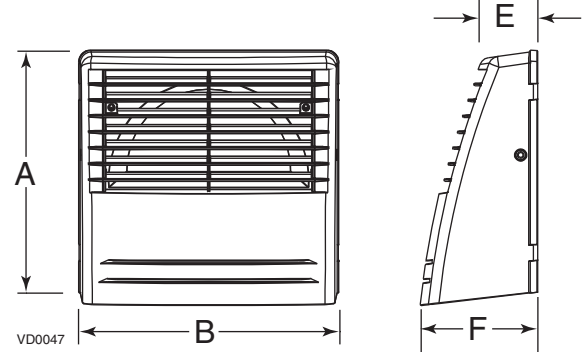
Dimensions of the Dual Outdoor Port Backplate

A	B	C	D
8 ³ / ₈ " (214 mm)	9" (231 mm)	3/4" (19 mm)	3" (76 mm)

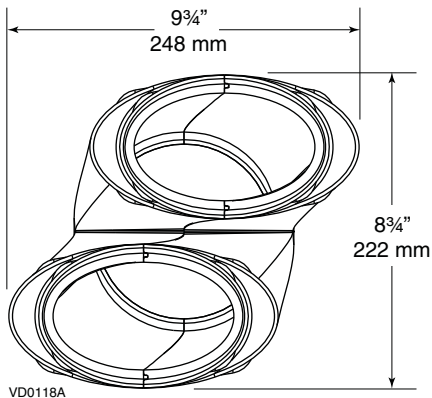


Dimensions of the Dual Outdoor Port

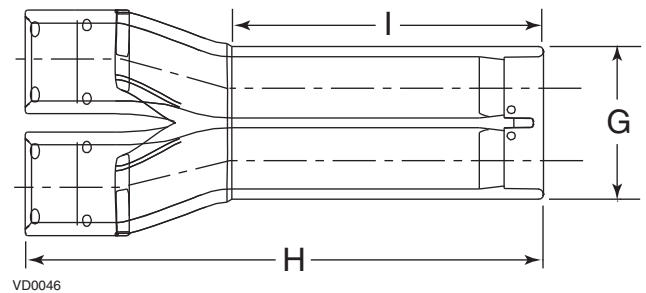
A	B	E	F
8 ³ / ₈ " (214 mm)	9" (231 mm)	1 ⁷ / ₈ " (48 mm)	3 ⁵ / ₈ " (92 mm)



Dimensions of the Transition

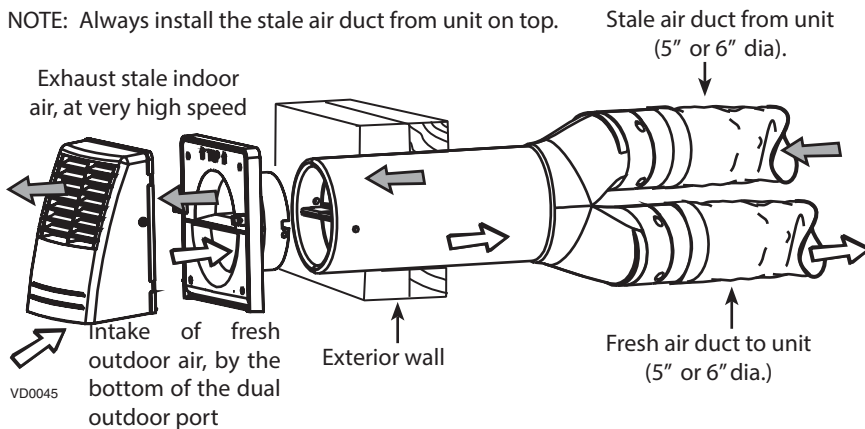


G	H	I
6" (152 mm)	20" (508 mm)	11 ³ / ₈ " (289 mm)



Installation

NOTE: Always install the stale air duct from unit on top.



Specifications and ratings

- Part number: VTYIK1
- Material for transition: Expanded polystyrene, Grade 54 (building material)
- Material for dual outdoor port: White polypropylene
- Contamination rate: 3.2% between stale air to outdoors and fresh air from outdoors

Submitted by:		Date:	Project:
Quantity:	Model number:	Remarks:	Location:
			Architect:
			Engineer:
			Contractor:

