

Features

- Contemporary styling.
- Right-side lever handle.
- 8-5/8" (219 mm) spout height.
- 4-15/16" (125 mm) spout reach.
- Faucet spout rotates 360 degrees and offers clearance for filling glasses and pitchers.
- 1.5 gpm (5.7 lpm) maximum flow rate at 60 psi (4.14 bar).
- RO (reverse osmosis) compatible.
- Works with KOHLER filtration systems or as a cold water tap.
- Ceramic disc valves exceed industry longevity standards, ensuring durable performance for life.

Material

- Zinc construction.
- KOHLER finishes resist corrosion and tarnishing.

Installation

- Single-hole installation.

Included Components

Additional Components:
1329347 Air gap device



ADA CSA B651

Codes/Standards






ASME A112.18.1/CSA B125.1
NSF/ANSI 61
NSF/ANSI 372
All applicable US Federal and State material regulations
DOE - Energy Policy Act 1992
California Energy Commission (CEC)
ADA
ICC/ANSI A117.1
CSA B651

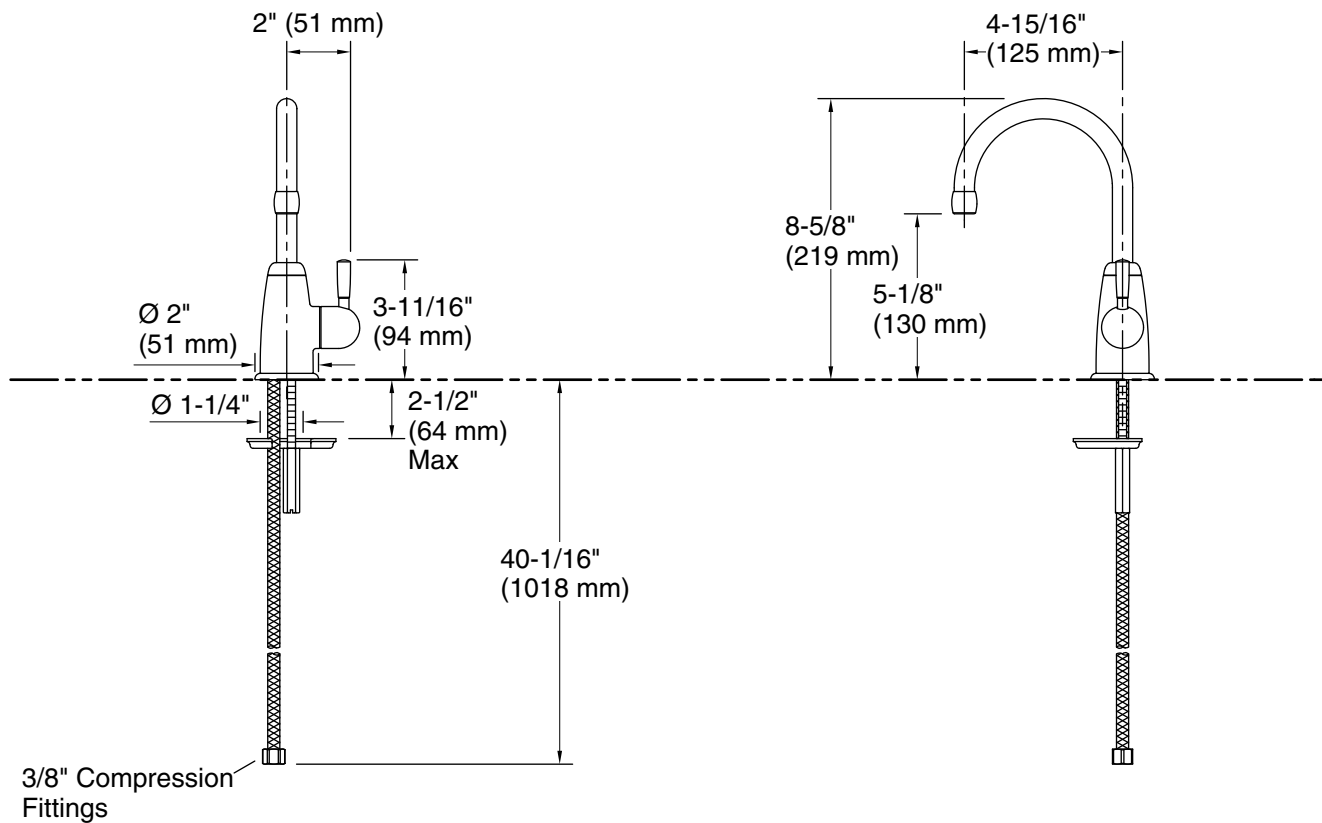
KOHLER® Faucet Lifetime Limited Warranty

See website for detailed warranty information.

Available Colors/Finishes

Color tiles intended for reference only.

Color	Code	Description
	CP	Polished Chrome
	SN	Vibrant® Polished Nickel
	BN	Vibrant® Brushed Nickel
	VS	Vibrant® Stainless
	BL	Matte Black



Technical Information

All product dimensions are nominal.

Faucet:

Flow rate: 1.5 gal/min (5.7 l/min)

Pressure: 60 psi (4.1 bar)

Notes

Install this product according to the installation instructions.

ADA, CSA B651 compliant when installed to the specific requirements of these regulations.