



Brazn™ Rectangle

Vessel bathroom sink with single faucet hole
K-21059-1

Features

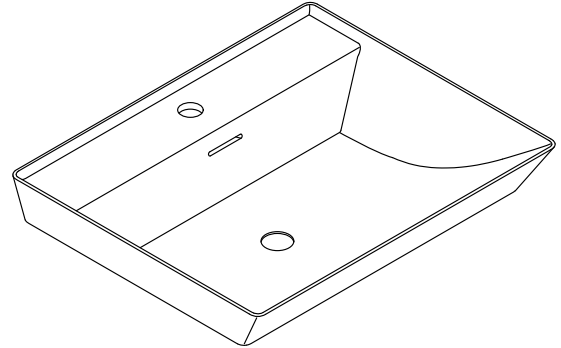
- Brass drain and color-matched brass drain cover.
- Single faucet hole.
- With overflow.
- Rectangular basin.

Material

- Vitreous china.

Installation

- Vessel.



ADA

CSA B651

OBC

Codes/Standards

ASME A112.19.2/CSA B45.1

ADA

ICC/ANSI A117.1

CSA B651

OBC

KOHLER® One-Year Limited Warranty

See website for detailed warranty information.

Available Colors/Finishes

Color tiles intended for reference only.

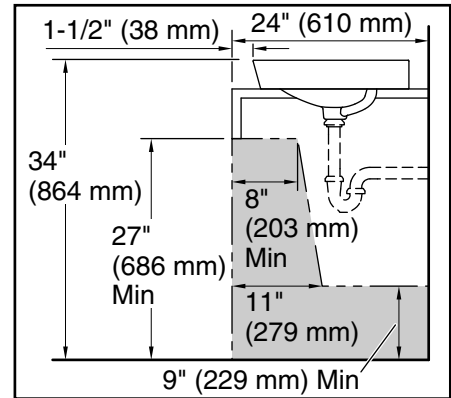
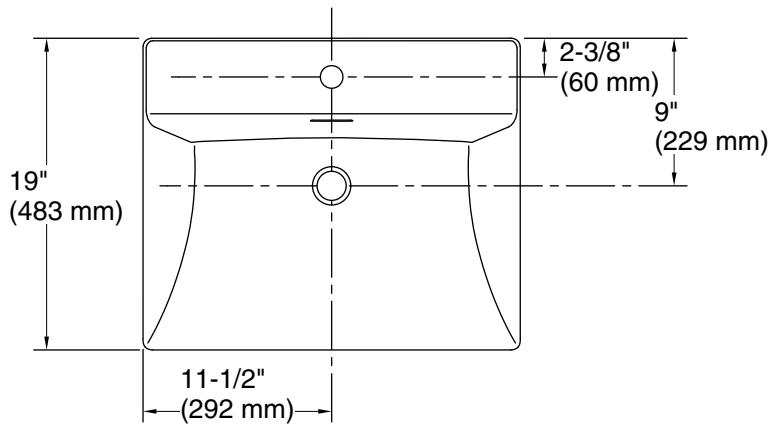
Color	Code	Description
-------	------	-------------

0		
---	--	--

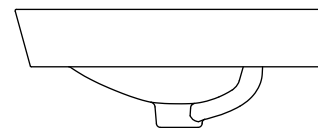
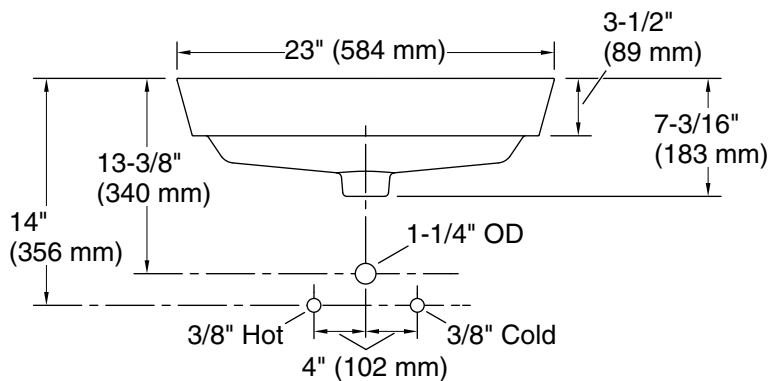


Brazn™ Rectangle

Vessel bathroom sink with single faucet hole
K-21059-1



Recommended ADA Installation



Technical Information

All product dimensions are nominal.

Installation: Vessel

Drain hole: 1-3/4" (45 mm)

Notes

Install this product according to the installation instructions.

NOTICE: Countertop manufacturer or cutter must use the cut-out template provided with the product, or a current one provided by Kohler Co. (call 1-800-4-KOHLER). Kohler Co. is not responsible for cutout errors when the incorrect cut-out template is used.

ADA, OBC, CSA B651 compliant when installed to the specific requirements of these regulations.